

INSTRUCTION MANUAL
MANUEL D'INSTRUCTION
MANUAL DE INSTRUCCIONES



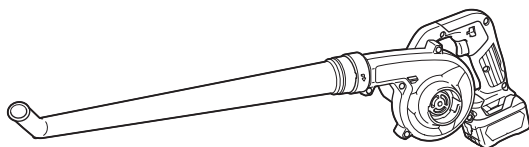
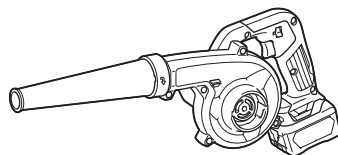
Cordless Blower

SOUFFLEUR SANS FIL

(ASPIRO / SOUFFLEUR (SANS FIL))

Sopladora Inalámbrica

UB100D
UB101D



IMPORTANT: Read Before Using.

IMPORTANT : Lire avant usage.

IMPORTANTE: Lea antes de usar.

SPECIFICATIONS

Model:		UB100D	UB101D
Capacities	Air volume *1	0 - 2.6 m ³ /min (0 - 92 cu.ft./min)	
	Air speed (average)	0 - 62 m/s (0 - 139 MPH) *2	0 - 45 m/s (0 - 101 MPH) *3
	Air speed (max.)	0 - 75 m/s (0 - 168 MPH) *2	0 - 56 m/s (0 - 125 MPH) *3
Overall length		508 mm (20") *4	852 mm (33-1/2") *5
Rated voltage		D.C. 10.8 V - 12 V max	
Net weight	With nozzle	1.4 - 1.9 kg (3.1 - 4.2 lbs)	-
	With garden nozzle	-	1.4 - 1.9 kg (3.1 - 4.2 lbs)

*1. Without nozzles.

*2. With nozzle.

*3. With garden nozzle.

*4. With nozzle and battery cartridge (BL1041B), and without dust bag.

*5. With garden nozzle and battery cartridge (BL1041B), and without dust bag.

- Due to our continuing program of research and development, the specifications herein are subject to change without notice.
- Specifications may differ from country to country.
- The weight may differ depending on the attachment(s), including the battery cartridge. The lightest and heaviest combination, according to EPTA-Procedure 01/2014, are shown in the table.

Applicable battery cartridge and charger

Battery cartridge	BL1016 / BL1021B / BL1041B
Charger	DC10SB / DC10WD / DC18RE

- Some of the battery cartridges and chargers listed above may not be available depending on your region of residence.

⚠WARNING: Only use the battery cartridges and chargers listed above. Use of any other battery cartridges and chargers may cause injury and/or fire.

SAFETY WARNINGS

General power tool safety warnings

⚠WARNING: Read all safety warnings, instructions, illustrations and specifications provided with this power tool. Failure to follow all instructions listed below may result in electric shock, fire and/or serious injury.

Save all warnings and instructions for future reference.

The term "power tool" in the warnings refers to your mains-operated (corded) power tool or battery-operated (cordless) power tool.

Work area safety

1. **Keep work area clean and well lit.** Cluttered or dark areas invite accidents.
2. **Do not operate power tools in explosive atmospheres, such as in the presence of flammable liquids, gases or dust.** Power tools create sparks which may ignite the dust or fumes.

3. **Keep children and bystanders away while operating a power tool.** Distractions can cause you to lose control.

Electrical Safety

1. **Power tool plugs must match the outlet. Never modify the plug in any way. Do not use any adapter plugs with earthed (grounded) power tools.** Unmodified plugs and matching outlets will reduce risk of electric shock.
2. **Avoid body contact with earthed or grounded surfaces, such as pipes, radiators, ranges and refrigerators.** There is an increased risk of electric shock if your body is earthed or grounded.
3. **Do not expose power tools to rain or wet conditions.** Water entering a power tool will increase the risk of electric shock.
4. **Do not abuse the cord. Never use the cord for carrying, pulling or unplugging the power tool. Keep cord away from heat, oil, sharp edges or moving parts.** Damaged or entangled cords increase the risk of electric shock.
5. **When operating a power tool outdoors, use an extension cord suitable for outdoor use.** Use of a cord suitable for outdoor use reduces the risk of electric shock.

6. **If operating a power tool in a damp location is unavoidable, use a ground fault circuit interrupter (GFCI) protected supply.** Use of a GFCI reduces the risk of electric shock.
7. **Power tools can produce electromagnetic fields (EMF) that are not harmful to the user.** However, users of pacemakers and other similar medical devices should contact the maker of their device and/or doctor for advice before operating this power tool.
3. **Disconnect the plug from the power source and/or remove the battery pack, if detachable, from the power tool before making any adjustments, changing accessories, or storing power tools.** Such preventive safety measures reduce the risk of starting the power tool accidentally.
4. **Store idle power tools out of the reach of children and do not allow persons unfamiliar with the power tool or these instructions to operate the power tool.** Power tools are dangerous in the hands of untrained users.

Personal Safety

1. **Stay alert, watch what you are doing and use common sense when operating a power tool. Do not use a power tool while you are tired or under the influence of drugs, alcohol or medication.** A moment of inattention while operating power tools may result in serious personal injury.
2. **Use personal protective equipment. Always wear eye protection.** Protective equipment such as dust mask, non-skid safety shoes, hard hat, or hearing protection used for appropriate conditions will reduce personal injuries.
3. **Prevent unintentional starting. Ensure the switch is in the off-position before connecting to power source and/or battery pack, picking up or carrying the tool.** Carrying power tools with your finger on the switch or energising power tools that have the switch on invites accidents.
4. **Remove any adjusting key or wrench before turning the power tool on.** A wrench or a key left attached to a rotating part of the power tool may result in personal injury.
5. **Do not overreach. Keep proper footing and balance at all times.** This enables better control of the power tool in unexpected situations.
6. **Dress properly. Do not wear loose clothing or jewellery. Keep your hair, clothing and gloves away from moving parts.** Loose clothes, jewellery or long hair can be caught in moving parts.
7. **If devices are provided for the connection of dust extraction and collection facilities, ensure these are connected and properly used.** Use of dust collection can reduce dust-related hazards.
8. **Do not let familiarity gained from frequent use of tools allow you to become complacent and ignore tool safety principles.** A careless action can cause severe injury within a fraction of a second.
9. **Always wear protective goggles to protect your eyes from injury when using power tools. The goggles must comply with ANSI Z87.1 in the USA. It is an employer's responsibility to enforce the use of appropriate safety protective equipment by the tool operators and by other persons in the immediate working area.**
5. **Maintain power tools and accessories. Check for misalignment or binding of moving parts, breakage of parts and any other condition that may affect the power tool's operation. If damaged, have the power tool repaired before use.** Many accidents are caused by poorly maintained power tools.
6. **Keep cutting tools sharp and clean.** Properly maintained cutting tools with sharp cutting edges are less likely to bind and are easier to control.
7. **Use the power tool, accessories and tool bits etc. in accordance with these instructions, taking into account the working conditions and the work to be performed.** Use of the power tool for operations different from those intended could result in a hazardous situation.
8. **Keep handles and grasping surfaces dry, clean and free from oil and grease.** Slippery handles and grasping surfaces do not allow for safe handling and control of the tool in unexpected situations.
9. **When using the tool, do not wear cloth work gloves which may be entangled.** The entanglement of cloth work gloves in the moving parts may result in personal injury.

Battery tool use and care

Power tool use and care

1. **Do not force the power tool. Use the correct power tool for your application.** The correct power tool will do the job better and safer at the rate for which it was designed.
2. **Do not use the power tool if the switch does not turn it on and off.** Any power tool that cannot be controlled with the switch is dangerous and must be repaired.
1. **Recharge only with the charger specified by the manufacturer.** A charger that is suitable for one type of battery pack may create a risk of fire when used with another battery pack.
2. **Use power tools only with specifically designated battery packs.** Use of any other battery packs may create a risk of injury and fire.
3. **When battery pack is not in use, keep it away from other metal objects, like paper clips, coins, keys, nails, screws or other small metal objects, that can make a connection from one terminal to another.** Shorting the battery terminals together may cause burns or a fire.
4. **Under abusive conditions, liquid may be ejected from the battery; avoid contact. If contact accidentally occurs, flush with water. If liquid contacts eyes, additionally seek medical help.** Liquid ejected from the battery may cause irritation or burns.
5. **Do not use a battery pack or tool that is damaged or modified.** Damaged or modified batteries may exhibit unpredictable behaviour resulting in fire, explosion or risk of injury.
6. **Do not expose a battery pack or tool to fire or excessive temperature.** Exposure to fire or temperature above 130 °C may cause explosion.

7. **Follow all charging instructions and do not charge the battery pack or tool outside the temperature range specified in the instructions.** Charging improperly or at temperatures outside the specified range may damage the battery and increase the risk of fire.
11. **Do not pick up anything that is burning or smoking, such as cigarettes, matches, or hot ashes.**
12. **Do not use without dust bag in place when collecting dust.**

Service

1. **Have your power tool serviced by a qualified repair person using only identical replacement parts.** This will ensure that the safety of the power tool is maintained.
2. **Never service damaged battery packs.** Service of battery packs should only be performed by the manufacturer or authorized service providers.
3. **Follow instruction for lubricating and changing accessories.**
4. **Do not modify or attempt to repair the appliance or the battery pack except as indicated in the instructions for use and care.**

IMPORTANT SAFETY INSTRUCTIONS

When using an electrical appliance, basic precautions should always be followed, including the following:

READ ALL INSTRUCTIONS BEFORE USING THIS APPLIANCE. WARNING - To reduce the risk of fire, electric shock, or injury:

1. **Do not leave appliance when battery fitted.** Remove battery from appliance when not in use and before servicing.
2. **Do not expose to rain. Store indoors.**
3. **Do not allow to be used as a toy.** Close attention is necessary when used by or near children.
4. **Use only as described in this manual.** Use only manufacturer's recommended attachments.
5. **Do not use with damaged battery.** If appliance is not working as it should, has been dropped, damaged, left outdoors, or dropped into water, return it to a service center.
6. **Do not put any object into openings.** Do not use with any opening blocked; keep free of dust, lint, hair, and anything that may reduce air flow.
7. **Keep hair, loose clothing, fingers, and all parts of body away from openings and moving parts.**
8. **Use extra care when cleaning on stairs.**
9. **Use only the charger supplied by the manufacturer to recharge.**
10. **Do not use to pick up flammable or combustible liquids, such as gasoline, or use in areas where they may be present.**
11. **Do not pick up anything that is burning or smoking, such as cigarettes, matches, or hot ashes.**
12. **Do not use without dust bag in place when collecting dust.**

SAVE THESE INSTRUCTIONS.

This appliance is intended for household use.

Cordless Blower Safety Instructions

Preparation

1. **Always wear substantial footwear and long trousers while operating the machine.**
2. **Do not wear loose clothing or jewellery that can be drawn into the air inlet. Keep long hair away from the air inlets.**
3. **Always use protective goggles, a cap and mask when using the machine.** Ordinary eye or sun glasses are NOT safety glasses.
4. **To prevent dust irritation the wearing of a face mask is recommended.**
5. **While operating the machine, always wear non-slip and protective footwear.** Non-skid, closed-toed safety boots and shoes will reduce the risk of injury.

Operation

1. **Never operate the machine while people, especially children, or pets are nearby.**
2. **Switch off the machine and remove the battery cartridge and make sure that all moving parts have come to a complete stop**
 - whenever you leave the machine.
 - before clearing blockages.
 - before checking, cleaning or working on the machine.
 - if the machine starts to vibrate abnormally.
 - whenever you convert the machine from blower to vacuum, and vice versa.
3. **Operate the machine only in daylight or in good artificial light.**
4. **Do not overreach and keep proper balance and footing at all times.**
5. **Never blow debris in the direction of bystanders.**
6. **Operate the machine in a recommended position and on a firm surface.**
7. **Do not operate the machine at high places.**
8. **Never point the nozzle at anyone in the vicinity when using the machine.**
9. **Never block suction inlet and/or blower outlet.**
 - Be careful not to block suction inlet or blower outlet with dust or dirt when operating in dusty area.
 - Do not use nozzles other than the nozzles provided by Makita.
 - Do not use the blower to inflate balls, rubber boat or the similar.

10. Do not operate the machine near open window, etc.
11. **Operating the machine only at reasonable hours is recommended - not early in the morning or late at night when people might be disturbed.**
12. **Using rakes and brooms to loosen debris before blowing is recommended.**
13. **If the machine strikes any foreign objects or should start making any unusual noise or vibration, immediately switch off the machine to stop it. Remove the battery cartridge from the machine and inspect the machine for damage before restarting and operating the machine. If the machine is damaged, ask Makita Authorized Service Centers for repair.**
14. Do not insert fingers or other objects into suction inlet or blower outlet.
15. **Prevent unintentional starting. Ensure the switch is in the off-position before inserting battery cartridge, picking up or carrying the machine. Carrying the machine with your finger on the switch or energizing the machine that has the switch on invites accidents.**
16. **Never blow or vacuum dangerous materials, such as nails, fragments of glass, or blades.**
17. Do not operate the machine near flammable materials.
18. **Avoid operating the machine for a long time in low temperature environment.**
19. **Always use the dust bag when collecting dust, chips and the like.**
20. **Do not collect still smoldering cigarette ashes, freshly cut metals shavings, screws, nails and the like.**
3. **Recharge only with the charger specified by the manufacturer.** A charger that is suitable for one type of battery pack may create a risk of fire when used with another battery pack.
4. **Use machines only with specifically designated battery packs.** Use of any other battery packs may create a risk of injury and fire.
5. **When battery pack is not in use, keep it away from other metal objects, like paper clips, coins, keys, nails, screws or other small metal objects, that can make a connection from one terminal to another.** Shorting the battery terminals together may cause burns or a fire.
6. **Under abusive conditions, liquid may be ejected from the battery; avoid contact. If contact accidentally occurs, flush with water. If liquid contacts eyes, seek medical help.** Liquid ejected from the battery may cause irritation or burns.
7. **Do not use a battery pack or machine that is damaged or modified. Damaged or modified batteries may exhibit unpredictable behaviour resulting in fire, explosion or risk of injury.**
8. **Do not expose a battery pack or machine to fire or excessive temperature. Exposure to fire or temperature above 130°C (265°F) may cause explosion.**
9. **Follow all charging instructions and do not charge the battery pack or machine outside of the temperature range specified in the instructions.** Charging improperly or at temperatures outside of the specified range may damage the battery and increase the risk of fire.

Maintenance and storage

1. **Keep all nuts, bolts and screws tight to be sure the machine is in safe working condition.**
2. **If the parts are worn or damaged, replace them with parts provided by Makita.**
3. **Store the machine in a dry place out of the reach of children.**
4. **When you stop the machine for inspection, servicing, storage, or changing accessory, switch off the machine and make sure that all moving parts come to a complete stop, and remove the battery cartridge. Cool down the machine before making any work on the machine. Maintain the machine with care and keep it clean.**
5. **Always cool down the machine before storing.**
6. **When you lift the machine, be sure to bend your knees and be careful not to hurt your back.**

Battery tool use and care

1. **Prevent unintentional starting. Ensure the switch is in the off-position before connecting to battery pack, picking up or carrying the machine.** Carrying the machine with your finger on the switch or energizing machine that have the switch on invites accidents.
2. **Disconnect the battery pack from the machine before making any adjustments, changing accessories, or storing machine.** Such preventive safety measures reduce the risk of starting the machine accidentally.

10. **Have servicing performed by a qualified repair person using only identical replacement parts.** This will ensure that the safety of the product is maintained.
11. **Do not modify or attempt to repair the machine or the battery pack except as indicated in the instructions for use and care.**

Electrical and battery safety

1. **Do not dispose of the battery(ies) in a fire.** The cell may explode. Check with local codes for possible special disposal instructions.
2. **Do not open or mutilate the battery(ies).** Released electrolyte is corrosive and may cause damage to the eyes or skin. It may be toxic if swallowed.
3. **Do not charge battery in rain, or in wet locations.**
4. **Do not charge the battery outdoors.**
5. **Do not handle charger, including charger plug, and charger terminals with wet hands.**
6. **Avoid dangerous environment. Don't use the tool in dump or wet locations or expose it to rain.** Water entering the tool will increase the risk of electric shock.

Service

1. **Have your power tool serviced by a qualified repair person using only identical replacement parts.** This will ensure that the safety of the power tool is maintained.

- Never service damaged battery packs. Service of battery packs should only be performed by the manufacturer or authorized service providers.

SAVE THESE INSTRUCTIONS.

⚠WARNING: DO NOT let comfort or familiarity with product (gained from repeated use) replace strict adherence to safety rules for the subject product.

MISUSE or failure to follow the safety rules stated in this instruction manual may cause serious personal injury.

⚠WARNING: Use of this product can create dust containing chemicals which may cause respiratory or other illnesses. Some examples of these chemicals are compounds found in pesticides, insecticides, fertilizers and herbicides.

Your risk from these exposures varies, depending on how often you do this type of work. To reduce your exposure to these chemicals: work in a well ventilated area, and work with approved safety equipment, such as those dust masks that are specially designed to filter out microscopic particles.

Symbols

The followings show the symbols used for tool.

V	volts
— — —	direct current

Important safety instructions for battery cartridge

- Before using battery cartridge, read all instructions and cautionary markings on (1) battery charger, (2) battery, and (3) product using battery.
- Do not disassemble or tamper the battery cartridge. It may result in a fire, excessive heat, or explosion.
- If operating time has become excessively shorter, stop operating immediately. It may result in a risk of overheating, possible burns and even an explosion.
- If electrolyte gets into your eyes, rinse them out with clear water and seek medical attention right away. It may result in loss of your eyesight.
- Do not short the battery cartridge:
 - Do not touch the terminals with any conductive material.
 - Avoid storing battery cartridge in a container with other metal objects such as nails, coins, etc.
 - Do not expose battery cartridge to water or rain.

A battery short can cause a large current flow, overheating, possible burns and even a breakdown.

- Do not store and use the tool and battery cartridge in locations where the temperature may reach or exceed 50 °C (122 °F).
- Do not incinerate the battery cartridge even if it is severely damaged or is completely worn out. The battery cartridge can explode in a fire.
- Do not nail, cut, crush, throw, drop the battery cartridge, or hit against a hard object to the battery cartridge. Such conduct may result in a fire, excessive heat, or explosion.
- Do not use a damaged battery.
- The contained lithium-ion batteries are subject to the Dangerous Goods Legislation requirements.

For commercial transports e.g. by third parties, forwarding agents, special requirement on packaging and labeling must be observed. For preparation of the item being shipped, consulting an expert for hazardous material is required. Please also observe possibly more detailed national regulations.

Tape or mask off open contacts and pack up the battery in such a manner that it cannot move around in the packaging.
- When disposing the battery cartridge, remove it from the tool and dispose of it in a safe place. Follow your local regulations relating to disposal of battery.
- Use the batteries only with the products specified by Makita. Installing the batteries to non-compliant products may result in a fire, excessive heat, explosion, or leak of electrolyte.
- If the tool is not used for a long period of time, the battery must be removed from the tool.
- During and after use, the battery cartridge may take on heat which can cause burns or low temperature burns. Pay attention to the handling of hot battery cartridges.
- Do not touch the terminal of the tool immediately after use as it may get hot enough to cause burns.
- Do not allow chips, dust, or soil stuck into the terminals, holes, and grooves of the battery cartridge. It may result in poor performance or breakdown of the tool or battery cartridge.
- Unless the tool supports the use near high-voltage electrical power lines, do not use the battery cartridge near high-voltage electrical power lines. It may result in a malfunction or breakdown of the tool or battery cartridge.
- Keep the battery away from children.

SAVE THESE INSTRUCTIONS.

⚠CAUTION: Only use genuine Makita batteries. Use of non-genuine Makita batteries, or batteries that have been altered, may result in the battery bursting causing fires, personal injury and damage. It will also void the Makita warranty for the Makita tool and charger.

Tips for maintaining maximum battery life

1. Charge the battery cartridge before completely discharged. Always stop tool operation and charge the battery cartridge when you notice less tool power.
2. Never recharge a fully charged battery cartridge. Overcharging shortens the battery service life.
3. Charge the battery cartridge with room temperature at 10 °C - 40 °C (50 °F - 104 °F). Let a hot battery cartridge cool down before charging it.
4. When not using the battery cartridge, remove it from the tool or the charger.

ASSEMBLY

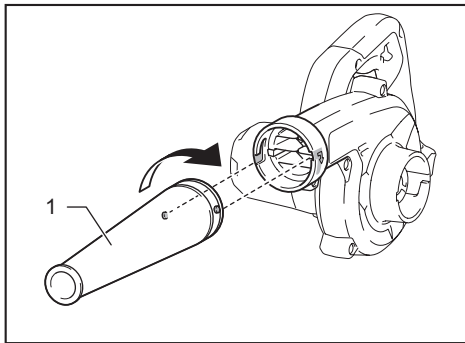
CAUTION: Always be sure that the machine is switched off and the battery cartridge is removed before carrying out any work on the machine.

Assembly for blowing

Installing or removing the nozzle

Optional accessory for UB101D

Align the protrusions on the nozzle with the grooves on the main unit, then insert the nozzle into the main unit, and then turn it to lock it into place.



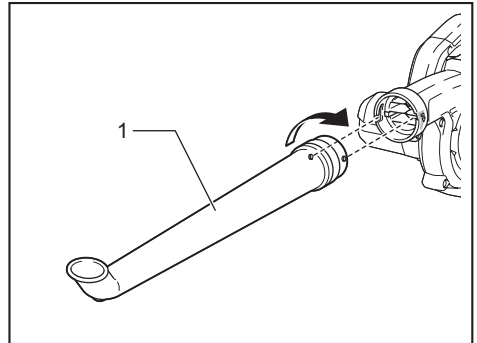
► 1. Nozzle

To remove the nozzle, perform the installation procedure in reverse.

Installing or removing the garden nozzle

Optional accessory for UB100D

Align the protrusions on the garden nozzle with the grooves on the main unit, then insert the garden nozzle into the main unit, and then turn it to lock it into place.



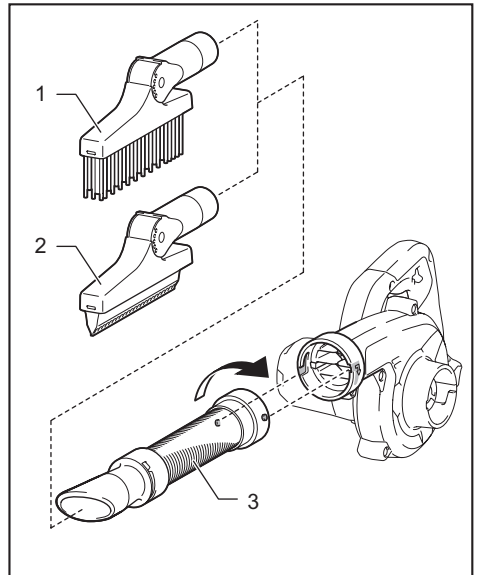
► 1. Garden nozzle

To remove the garden nozzle, perform the installation procedure in reverse.

Installing or removing the brush and wiper nozzle

Optional accessory for UB100D / UB101D

Attach the brush nozzle or wiper nozzle to the flexible hose, and then install the flexible hose to the main unit.



► 1. Brush nozzle 2. Wiper nozzle 3. Flexible hose

To remove the brush nozzle or wiper nozzle, perform the installation procedure in reverse.

Installing or removing the long nozzle

Optional accessory for UB100D / UB101D

Install the long nozzle in the same way as the nozzle. To remove the long nozzle, perform the installation procedure in reverse.

Installing or removing the tapered nozzle

Optional accessory for UB100D / UB101D

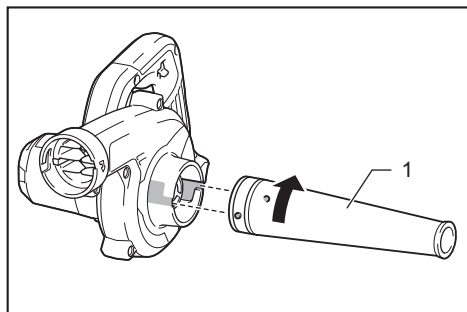
Attach the tapered nozzle to the nozzle, and then install the nozzle to the main unit. To remove the tapered nozzle, perform the installation procedure in reverse.

Assembly for vacuuming

Installing or removing the nozzle

Optional accessory for UB101D

Align the protrusions on the nozzle with the grooves on the main unit, then insert the nozzle into the main unit, and then turn it to lock it into place.



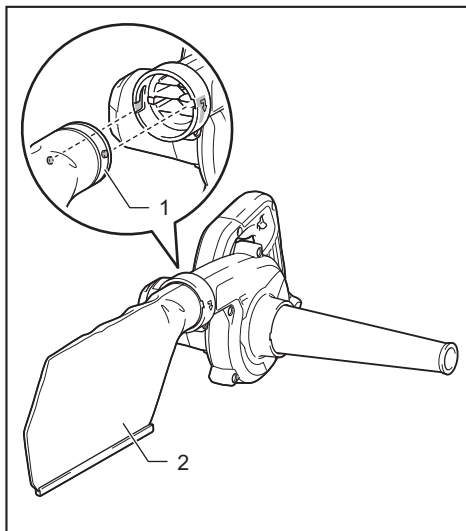
► 1. Nozzle

To remove the nozzle, perform the installation procedure in reverse.

Installing or removing the dust bag

Optional accessory for UB100D / UB101D

Align the protrusions on the joint of dust bag with the grooves on the main unit, then insert the joint into the main unit, and then turn it to lock it into place.



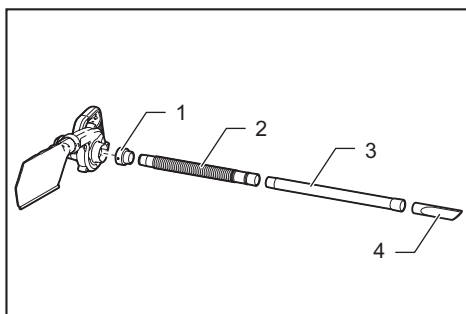
► 1. Joint 2. Dust bag

To remove the dust bag, perform the installation procedure in reverse.

Installing or removing the flexible hose set

Optional accessory for UB100D / UB101D

Attach the joint, flexible hose, pipe, and sash nozzle to the main unit in order.



► 1. Joint 2. Flexible hose 3. Pipe 4. Sash nozzle

To remove the flexible hose set, perform the installation procedure in reverse.

FUNCTIONAL DESCRIPTION

CAUTION: Always be sure that the machine is switched off and the battery cartridge is removed before adjusting or checking function on the machine.

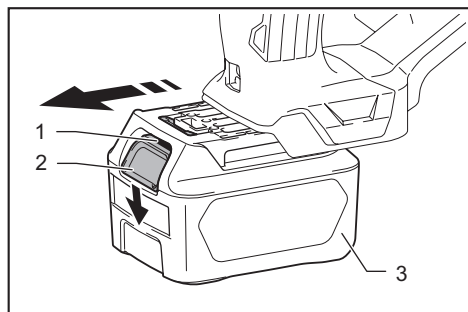
Installing or removing battery cartridge

CAUTION: Always switch off the machine before installing or removing of the battery cartridge.

CAUTION: Hold the machine and the battery cartridge firmly when installing or removing battery cartridge. Failure to hold the machine and the battery cartridge firmly may cause them to slip off your hands and result in damage to the machine and battery cartridge and a personal injury.

CAUTION: Always install the battery cartridge fully until the red indicator cannot be seen. If not, it may accidentally fall out of the machine, causing injury to you or someone around you.

CAUTION: Do not install the battery cartridge forcibly. If the cartridge does not slide in easily, it is not being inserted correctly.



► 1. Red indicator 2. Button 3. Battery cartridge

To remove the battery cartridge, slide it from the machine while sliding the button on the front of the cartridge.

To install the battery cartridge, align the tongue on the battery cartridge with the groove in the housing and slip it into place. Insert it all the way until it locks in place with a little click. If you can see the red indicator on the upper side of the button, it is not locked completely.

Battery protection system

The machine is equipped with a battery protection system. This system automatically cuts off power to the motor to extend battery life.

The machine will automatically stop during operation if the machine and/or battery are placed under one of the following conditions:

Overloaded:

The machine is operated in a manner that causes it to draw an abnormally high current.

In this situation, turn the machine off and stop the application that caused the machine to become overloaded. Then turn the machine on to restart.

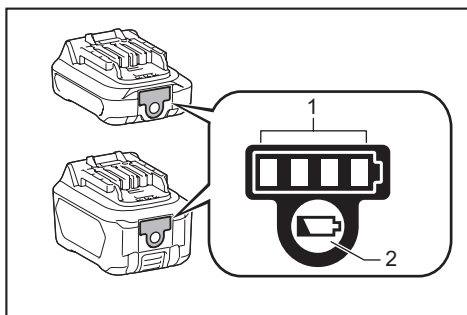
If the machine does not start, the battery is overheated. In this situation, let the battery cool before turning the machine on again.

Low battery voltage:

The remaining battery capacity is too low and the machine will not operate. If you turn the machine on, the motor runs again but stops soon. In this situation, remove and recharge the battery.

Indicating the remaining battery capacity

Only for battery cartridges with the indicator



► 1. Indicator lamps 2. Check button

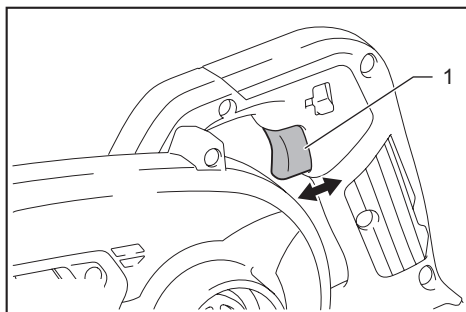
Press the check button on the battery cartridge to indicate the remaining battery capacity. The indicator lamps light up for a few seconds.

Indicator lamps		Remaining capacity
Lighted	Off	
■ ■ ■ ■	□	75% to 100%
■ ■ ■ □	□	50% to 75%
■ ■ □ □	□	25% to 50%
■ □ □ □	□	0% to 25%

NOTE: Depending on the conditions of use and the ambient temperature, the indication may differ slightly from the actual capacity.

Switch action

⚠ WARNING: Before installing the battery cartridge into the machine, always check to see that the switch trigger actuates properly and returns to the "OFF" position when released.

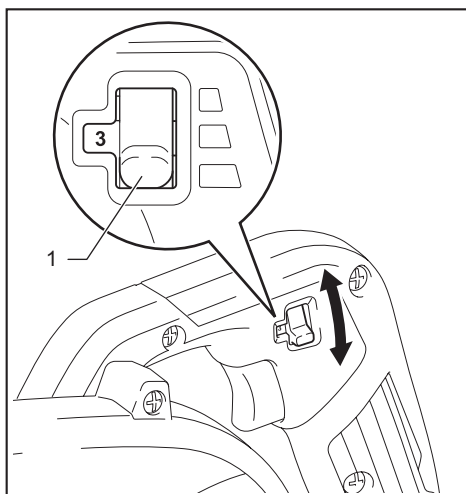


► 1. Switch trigger

To start the machine, pull the switch trigger. The speed is increased by increasing pressure on the switch trigger. Release the switch trigger to stop.

NOTICE: If the machine has been operated continuously until the battery has become empty, rest the machine for at least 15 minutes before operating the machine with a fresh battery.

Speed adjusting dial



► 1. Speed adjusting dial

The speed can be changed by turning the speed adjusting dial to a given number setting from 1 to 3. Higher speed is obtained when the dial is turned in the direction of number 3. Lower speed is obtained when it is turned in the direction of number 1.

Refer to the table for the relationship between the number settings on the dial and the speed.

Number	Speed
3	High
2	Medium
1	Low

NOTICE: When turning the dial, be sure to completely release the switch trigger. Otherwise, the machine may be damaged.

OPERATION

⚠ CAUTION: Do not place the machine on the ground while it is switched on. Sand or dust may enter from suction inlet and cause a malfunction or personal injury.

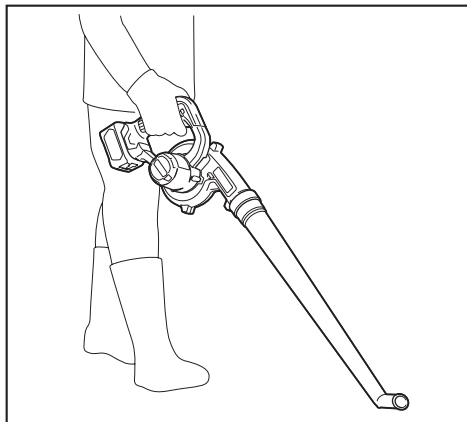
Blower operation

⚠ CAUTION: When performing the blower operation, be sure to remove the dust bag from the machine, and attach the nozzle in place for blowing.

Hold the machine firmly with a hand and perform the blowing operation by moving it around slowly. When blowing around building, big stone or vehicle, direct the nozzle away from them. When performing an operation in a corner, start from the corner and then move to wide area.

For UB100D





Vacuuming operation

CAUTION: When performing the vacuuming operation, be sure to attach the dust bag and nozzle in place to the machine.

CAUTION: Check the dust bag frequently for wear or deterioration.

CAUTION: Be sure to fasten the fastener of the dust bag before operating the machine.

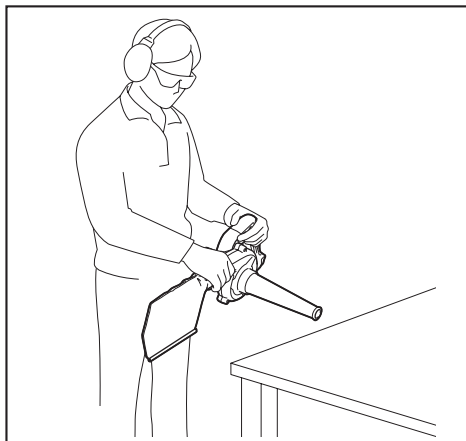
CAUTION: Always switch off the machine before opening or fastening the fastener of the dust bag.

NOTICE: When performing the vacuuming operation, do not use the garden nozzle. The materials sucked may be clogged, and cause a malfunction of the machine.

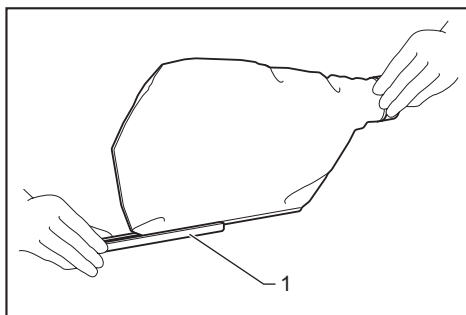
NOTICE: Do not allow wet materials, such as wet leaves, and foreign materials, such as large wood chips, metals, glass, pebbles, etc., to be sucked into the machine. Otherwise, a malfunction may occur.

NOTICE: Empty the dust bag before it becomes full. Otherwise, a malfunction may occur.

Hold the machine with both hands. While operating the machine, adjust the switch trigger so that the suction force is appropriate for the work location and conditions.



Empty the dust bag before it becomes too full by removing the dust bag from the machine, and then removing the fastener.



► 1. Fastener

MAINTENANCE

CAUTION: Always be sure that the machine is switched off and the battery cartridge is removed before attempting to perform inspection or maintenance.

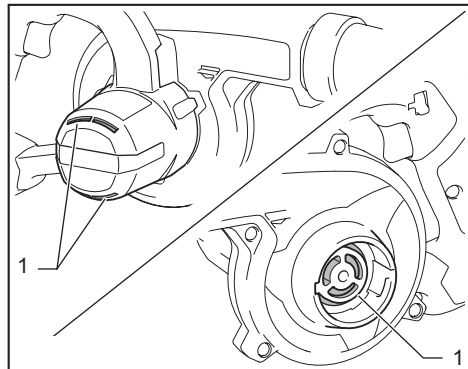
To maintain product SAFETY and RELIABILITY, repairs, any other maintenance or adjustment should be performed by Makita Authorized or Factory Service Centers, always using Makita replacement parts.

Cleaning the machine

Clean the machine by wiping off dust with a dry cloth or one dipped in soapy water and wrung out.

NOTICE: Never use gasoline, benzine, thinner, alcohol or the like. Discoloration, deformation or cracks may result.

Remove dust or dirt from the suction inlets.



► 1. Suction inlet

TROUBLESHOOTING

Before asking for repairs, conduct your own inspection first. If you find a problem that is not explained in the manual, do not attempt to dismantle the machine. Instead, ask Makita Authorized Service Centers, always using Makita replacement parts for repairs.

State of abnormality	Probable cause (malfunction)	Remedy
Motor does not run.	Battery cartridge is not installed.	Install the battery cartridge.
	Battery problem (under voltage)	Recharge the battery. If recharging is not effective, replace battery.
	The drive system does not work correctly.	Ask your local authorized service center for repair.
Motor stops running after a little use.	Battery's charge level is low.	Recharge the battery. If recharging is not effective, replace battery.
	Overheating.	Stop using the machine to allow it to cool down.
The machine does not reach the maximum speed.	Battery is installed improperly.	Install the battery cartridge as described in this manual.
	Battery power is dropping.	Recharge the battery. If recharging is not effective, replace battery.
	The drive system does not work correctly.	Ask your local authorized service center for repair.
Abnormal vibration: ⇒ stop the machine immediately!	The drive system does not work correctly.	Ask your local authorized service center for repair.
Motor cannot stop: ⇒ Remove the battery immediately!	Electric or electronic malfunction.	Remove the battery and ask your local authorized service center for repair.

OPTIONAL ACCESSORIES

⚠ CAUTION: These accessories or attachments are recommended for use with your Makita product specified in this manual. The use of any other accessories or attachments might present a risk of injury to persons. Only use accessory or attachment for its stated purpose.

If you need any assistance for more details regarding these accessories, ask your local Makita Service Center.

- Nozzle
- Garden nozzle
- Dust bag
- Long nozzle
- Tapered nozzle
- Flexible hose set
- Flexible hose complete (for brush/wiper nozzle)
- Brush nozzle
- Wiper nozzle
- Makita genuine battery and charger

NOTE: Some items in the list may be included in the product package as standard accessories. They may differ from country to country.

MAKITA LIMITED WARRANTY

Please refer to the annexed warranty sheet for the most current warranty terms applicable to this product. If annexed warranty sheet is not available, refer to the warranty details set forth at below website for your respective country.

United States of America: www.makitatools.com

Canada: www.makita.ca

Other countries: www.makita.com

SPÉCIFICATIONS

Modèle :		UB100D	UB101D
Capacités	Volume d'air *1	0 - 2,6 m ³ /min (0 - 92 cu.ft./min)	
	Vitesse du flux d'air (moyenne)	0 - 62 m/s (0 - 139 MPH) *2	0 - 45 m/s (0 - 101 MPH) *3
	Vitesse du flux d'air (max.)	0 - 75 m/s (0 - 168 MPH) *2	0 - 56 m/s (0 - 125 MPH) *3
Longueur hors-tout		508 mm (20") *4	852 mm (33-1/2") *5
Tension nominale		C. C. 10,8 V - 12 V max.	
Poids net	Avec buse	1,4 - 1,9 kg (3,1 - 4,2 lbs)	-
	Avec buse de jardin	-	1,4 - 1,9 kg (3,1 - 4,2 lbs)

*1. Sans buse.

*2. Avec buse.

*3. Avec buse de jardin.

*4. Avec buse et batterie (BL1041B), et sans sac à poussières.

*5. Avec buse de jardin et batterie (BL1041B), et sans sac à poussières.

- Étant donné l'évolution constante de notre programme de recherche et développement, les spécifications contenues dans ce manuel sont sujettes à modification sans préavis.
- Les spécifications peuvent varier suivant les pays.
- Le poids peut varier selon les accessoires, y compris la batterie. La plus légère et la plus lourde combinaisons, selon la procédure EPTA 01/2014, sont indiquées dans le tableau.

Batteries et chargeurs applicables

Batterie	BL1016 / BL1021B / BL1041B
Chargeur	DC10SB / DC10WD / DC18RE

- Suivant la région où vous habitez, il se peut que certaines des batteries et certains des chargeurs énumérés ci-dessus ne soient pas disponibles.

⚠ MISE EN GARDE : Utilisez exclusivement les batteries et chargeurs énumérés ci-dessus. L'utilisation de toute autre batterie ou tout autre chargeur peut entraîner une blessure et/ou un incendie.

CONSIGNES DE SÉCURITÉ

Consignes de sécurité générales pour outils électriques

⚠ MISE EN GARDE : Lisez toutes les mises en garde, instructions, illustrations et spécifications qui accompagnent cet outil électrique. Il y a un risque de décharge électrique, d'incendie et/ou de blessure grave si les instructions ci-dessous ne sont pas toutes respectées.

Conservez toutes les mises en garde et instructions pour référence future.

Le terme « outil électrique » qui figure dans les avertissements fait référence à un outil électrique branché sur une prise de courant (par un cordon d'alimentation) ou alimenté par batterie (sans fil).

Sécurité de la zone de travail

1. **Maintenez la zone de travail propre et bien éclairée.** Les zones de travail encombrées ou sombres ouvrent grande la porte aux accidents.
2. **N'utilisez pas les outils électriques dans les atmosphères explosives, par exemple en présence de liquides, gaz ou poussières inflammables.** Les outils électriques produisent des étincelles au contact desquelles la poussière ou les vapeurs peuvent s'enflammer.
3. **Assurez-vous qu'aucun enfant ou curieux ne s'approche pendant que vous utilisez un outil électrique.** Vous risquez de perdre la maîtrise de l'outil si votre attention est détournée.

Sécurité en matière d'électricité

1. **Les fiches d'outil électrique sont conçues pour s'adapter parfaitement aux prises de courant. Ne modifiez jamais la fiche de quelque façon que ce soit. N'utilisez aucun adaptateur de fiche sur les outils électriques avec mise à la terre.** En ne modifiant pas les fiches et en les insérant dans des prises de courant pour lesquelles elles ont été conçues, vous réduirez les risques de choc électrique.

2. **Évitez tout contact corporel avec les surfaces mises à la terre, telles que tuyaux, radiateurs, cuisinières et réfrigérateurs.** Le risque de choc électrique est plus élevé si votre corps se trouve mis à la terre.
3. **N'exposez pas les outils électriques à la pluie ou à l'eau.** La présence d'eau dans un outil électrique augmente le risque de choc électrique.
4. **Ne maltraitez pas le cordon. N'utilisez jamais le cordon pour transporter, tirer ou débrancher l'outil électrique. Maintenez le cordon à l'écart des sources de chaleur, de l'huile, des objets à bords tranchants et des pièces en mouvement.** Le risque de choc électrique est plus élevé lorsque les cordons sont endommagés ou enchevêtrés.
5. **Lorsque vous utilisez un outil électrique à l'extérieur, utilisez un cordon prolongateur conçu pour l'usage extérieur.** Les risques de choc électrique est moindre lorsqu'un cordon conçu pour l'usage extérieur est utilisé.
6. **Si vous devez utiliser un outil électrique dans un endroit humide, utilisez une source d'alimentation protégée par un disjoncteur de fuite à la terre.** L'utilisation d'un disjoncteur de fuite à la terre réduit le risque de choc électrique.
7. **Les outils électriques peuvent produire des champs électromagnétiques (CEM) qui ne sont pas préjudiciables à l'utilisateur.** Les utilisateurs de stimulateur cardiaque ou autres appareils médicaux similaires doivent toutefois demander conseil au fabricant et/ou à leur médecin avant d'utiliser cet outil électrique.
6. **Portez des vêtements adéquats. Ne portez ni vêtements amples ni bijoux. Gardez vos cheveux, vêtements et gants à l'écart des pièces en mouvement.** Les vêtements amples, bijoux ou cheveux longs peuvent être happés par les pièces en mouvement.
7. **Si des accessoires sont fournis pour raccorder un appareil d'aspiration et de collecte de la poussière, assurez-vous qu'ils sont correctement raccordés et qu'ils sont utilisés de manière adéquate.** L'utilisation d'un appareil de collecte permet de réduire les risques liés à la présence de poussière dans l'air.
8. **Évitez d'être complaisant et d'ignorer les principes de sécurité de l'outil en raison de la familiarité acquise par un usage fréquent des outils.** Un geste imprudent peut entraîner une grave blessure en une fraction de seconde.
9. **Portez toujours des lunettes à coques de protection pour protéger vos yeux contre les blessures lors de l'utilisation d'outils électriques. Les lunettes à coques doivent être conformes à ANSI Z87.1 aux États-Unis.** L'employeur a la responsabilité d'imposer l'utilisation d'équipements de protection de sécurité adéquats aux utilisateurs des outils électriques et à toute autre personne se trouvant dans la zone de travail immédiate.

Utilisation et entretien des outils électriques

1. **Ne forcez pas l'outil électrique. Utilisez l'outil électrique adéquat suivant le type de travail à effectuer.** Si vous utilisez l'outil électrique adéquat et respectez le régime pour lequel il a été conçu, il effectuera un travail de meilleure qualité et plus sécuritaire.
 2. **N'utilisez pas l'outil électrique s'il n'est pas possible de l'allumer et de l'éteindre avec son interrupteur.** Un outil électrique dont l'interrupteur est défectueux représente un danger et doit être réparé.
 3. **Avant d'effectuer tout réglage, de remplacer un accessoire ou de ranger l'outil électrique, débranchez la fiche de la source d'alimentation et/ou retirez la batterie de l'outil électrique si elle est amovible.** Ces mesures préventives de sécurité réduisent les risques de démarrage accidentel de l'outil électrique.
 4. **Après l'utilisation d'un outil électrique, rangez-le hors de portée des enfants et ne laissez aucune personne l'utiliser si elle n'est pas familiarisée avec l'outil électrique ou les présentes instructions d'utilisation.** Les outils électriques représentent un danger entre les mains de personnes qui n'en connaissent pas le mode d'utilisation.
 5. **Effectuez l'entretien des outils électriques et des accessoires. Assurez-vous que les pièces mobiles ne sont pas désalignées ou coincées, qu'aucune pièce n'est cassée et que l'outil électrique n'a subi aucun dommage affectant son bon fonctionnement.** Le cas échéant, faites réparer l'outil électrique avant de l'utiliser. De nombreux accidents sont causés par des outils électriques mal entretenus.
- Sécurité personnelle**
1. **Restez alerte, attentif à vos mouvements et faites preuve de bon sens lorsque vous utilisez un outil électrique. N'utilisez pas les outils électriques si vous êtes fatigué ou avez pris une drogue, de l'alcool ou un médicament.** Un moment d'inattention pendant l'utilisation d'un outil électrique peut entraîner une grave blessure.
 2. **Portez des dispositifs de protection personnelle. Portez toujours une protection oculaire.** Les risques de blessure seront moins élevés si vous utilisez des dispositifs de protection tels qu'un masque anti-poussière, des chaussures à semelle antidérapante, une coiffure résistante ou une protection d'oreilles.
 3. **Évitez les démarrages accidentels. Assurez-vous que l'interrupteur est en position d'arrêt avant de brancher l'outil à la prise de courant et/ou au bloc-piles, et avant de prendre ou de transporter l'outil.** Vous ouvrez la porte aux accidents si vous transportez les outils électriques avec le doigt sur l'interrupteur ou si vous les branchez alors que l'interrupteur est en position de marche.
 4. **Retirez toute clé de réglage ou de serrage avant de mettre l'outil électrique sous tension.** Toute clé laissée en place sur une pièce rotative de l'outil électrique peut entraîner une blessure.
 5. **Ne vous étirez pas exagérément. Assurez-vous d'une bonne prise au sol et d'un bon équilibre en tout temps.** Cela vous permettra d'avoir une meilleure maîtrise de l'outil électrique dans les situations imprévues.

6. **Maintenez les outils tranchants bien aiguisés et propres.** Un outil tranchant dont l'entretien est effectué correctement et dont les bords sont bien aiguisés risquera moins de se coincer et sera plus facile à maîtriser.
7. **Utilisez l'outil électrique, ses accessoires, ses embouts, etc., en respectant les présentes instructions, en tenant compte des conditions de travail et du type de travail à effectuer.** L'utilisation d'un outil électrique pour d'autres usages que ceux prévus peut entraîner une situation dangereuse.
8. **Gardez les poignées et surfaces de saisie sèches, propres et exemptes d'huile et de graisse.** Les poignées et surfaces de saisie glissantes ne permettent pas une manipulation sûre et une bonne maîtrise de l'outil dans les situations inattendues.
9. **Lors de l'utilisation de l'outil, ne portez pas de gants de travail en tissu qui risquent de s'enchevêtrer dans l'outil.** L'enchevêtrement de gants de travail en tissu dans les pièces en mouvement peut entraîner une blessure.

Utilisation et entretien des outils alimentés par batterie

1. **Pour recharger, utilisez uniquement le chargeur spécifié par le fabricant.** L'utilisation d'un chargeur conçu pour un type donné de bloc-piles comporte un risque d'incendie lorsqu'il est utilisé avec un autre type de bloc-piles.
2. **N'utilisez un outil électrique qu'avec le bloc-piles conçu spécifiquement pour cet outil.** Il y a risque de blessure ou d'incendie si un autre bloc-piles est utilisé.
3. **Lorsque vous n'utilisez pas le bloc-piles, rangez-le à l'écart des objets métalliques tels que trombones, pièces de monnaie, clés, clous, vis ou autres petits objets métalliques qui risqueraient d'établir une connexion entre les bornes.** La mise en court-circuit des bornes de batterie peut causer des brûlures ou un incendie.
4. **Dans des conditions d'utilisation inadéquates de la batterie, il peut y avoir fuite d'électrolyte; évitez tout contact avec ce liquide. En cas de contact accidentel, rincez avec beaucoup d'eau. Si le liquide pénètre dans vos yeux, il faut aussi consulter un médecin.** L'électrolyte qui s'échappe de la batterie peut causer des irritations ou des brûlures.
5. **N'utilisez pas une batterie ou un outil s'il est endommagé ou modifié.** Les batteries endommagées ou modifiées peuvent avoir un comportement imprévisible dont peut résulter un incendie, une explosion ou un risque de blessure.
6. **N'exposez pas une batterie ou un outil au feu ou à une température excessive.** L'exposition au feu ou à une température supérieure à 130 °C peut entraîner une explosion.
7. **Suivez toutes les instructions de charge et ne chargez pas la batterie ou l'outil à l'extérieur de la plage de température spécifiée dans les instructions.** Charger de manière inadéquate ou à des températures hors de la plage spécifiée peut endommager la batterie et augmenter le risque d'incendie.

Réparation

1. **Faites réparer votre outil électrique par un réparateur qualifié qui utilise des pièces de rechange identiques aux pièces d'origine.** Le maintien de la sûreté de l'outil électrique sera ainsi assuré.
2. **N'essayez jamais de réparer les batteries endommagées.** La réparation des batteries ne doit être effectuée que par le fabricant ou par un fournisseur de service après-vente agréé.
3. **Suivez les instructions de lubrification et de remplacement des accessoires.**
4. **Ne modifiez pas ou n'essayez pas de réparer l'appareil ou la batterie autrement que tel qu'indiqué dans les instructions d'utilisation et d'entretien.**

IMPORTANTES CONSIGNES DE SÉCURITÉ

Lors de l'utilisation d'un appareil électrique, vous devez toujours prendre des précautions de base, dont les suivantes :

LISEZ TOUTES LES INSTRUCTIONS AVANT D'UTILISER CET APPAREIL.

MISE EN GARDE : Pour réduire les risques d'in- cendie, de décharge élec- trique et de blessure :

1. **Ne vous éloignez pas de l'appareil alors que la batterie y est insérée.** Retirez la batterie de l'appareil lorsqu'il n'est pas utilisé et avant de le réparer.
2. **Ne l'exposez pas à la pluie.** Rangez-le à l'intérieur.
3. **Ne laissez pas les enfants l'utiliser comme jouet.** Une attention particulière est nécessaire lors de l'utilisation par les enfants ou près d'eux.
4. **Utilisez-le uniquement de la façon décrite dans ce manuel.** Utilisez uniquement les accessoires recommandés par le fabricant.
5. **Ne l'utilisez pas avec une batterie endommagée.** Si l'appareil ne fonctionne pas bien, s'il a été échappé, endommagé, laissé à l'extérieur ou échappé dans l'eau, retournez-le à un centre de service après-vente.
6. **Ne mettez rien dans les ouvertures.** Ne l'utilisez jamais si une des ouvertures est bouchée ; gardez ces dernières exemptes de poussières, charpies, cheveux ou tout objet pouvant réduire la circulation de l'air.

7. Gardez les cheveux, les vêtements amples, les doigts et toute autre partie du corps à l'écart des ouvertures et des pièces mobiles.
8. Soyez tout particulièrement prudent lorsque vous nettoyez sur les marches d'un escalier.
9. Utilisez uniquement le chargeur fourni par le fabricant pour recharger la batterie.
10. Ne l'utilisez pas pour aspirer des liquides inflammables ou combustibles tels que l'essence, ou dans des zones où de tels liquides peuvent être présents.
11. N'aspirez pas d'objets qui brûlent ou dégagent de la fumée, tels que des cigarettes, des allumettes ou des cendres encore chaudes.
12. Ne l'utilisez pas sans mettre en place le sac à poussières lorsque vous collectez des poussières.

CONSERVEZ CES INSTRUCTIONS.

Cet appareil est conçu pour un usage domestique.

Consignes de sécurité pour souffleur sans fil (aspiro / souffleur (sans fil))

Préparatifs

1. Portez toujours des chaussures robustes et des pantalons longs lorsque vous utilisez la machine.
2. Ne portez ni vêtements amples ni bijoux susceptibles d'être entraînés dans l'entrée d'air. Gardez les cheveux longs à l'écart des entrées d'air.
3. Portez toujours des lunettes à coques de protection, une casquette et un masque lorsque vous utilisez la machine. Les lunettes ordinaires et les lunettes de soleil NE sont PAS des lunettes de sécurité.
4. Le port d'un masque facial est recommandé pour prévenir l'irritation causée par les poussières.
5. Pendant l'utilisation de la machine, portez toujours des chaussures de protection antidérapantes. Des bottes et chaussures de sécurité antidérapantes et fermées réduiront le risque de blessure.

Utilisation

1. N'utilisez jamais la machine lorsque d'autres personnes - et tout particulièrement des enfants - ou des animaux domestiques se trouvent à proximité.
2. Éteignez la machine, retirez la batterie et assurez-vous de l'arrêt complet de toutes les pièces mobiles
 - chaque fois que vous vous éloignez de la machine;
 - avant de retirer les objets bloqués;
 - avant d'inspecter la machine, de la nettoyer ou de travailler dessus;

- si la machine se met à vibrer de manière anormale;
- chaque fois que vous convertissez la machine de souffleur en aspirateur, et vice-versa.

3. N'utilisez la machine qu'à la lumière du jour ou avec une bonne lumière artificielle.
4. Ne tendez pas trop les bras et maintenez en tout temps une bonne prise au sol et un bon équilibre.
5. Ne soufflez jamais les débris vers les personnes présentes.
6. Utilisez la machine avec la posture recommandée et sur une surface ferme.
7. N'utilisez pas la machine dans des emplacements élevés.
8. Pendant l'utilisation de la machine, ne pointez jamais la buse vers une personne se trouvant à proximité.
9. Ne bloquez jamais l'entrée d'aspiration et/ou la sortie de souffleur.
 - Prenez garde de bloquer l'entrée d'aspiration ou la sortie de souffleur avec des poussières ou saletés lors de l'utilisation dans une zone poussiéreuse.
 - N'utilisez pas d'autres buses que celles fournies par Makita.
 - N'utilisez pas le souffleur pour gonfler des ballons, des canots pneumatiques ou objets similaires.
10. N'utilisez pas la machine près des fenêtres ouvertes, etc.
11. Il est recommandé de n'utiliser la machine qu'à des heures raisonnables - pas tôt le matin ou tard le soir, lorsque les gens pourraient être dérangés.
12. Il est recommandé d'utiliser des râtaux et des balais pour dégager les débris avant de souffler.
13. Si la machine heurte un corps étranger ou commence à émettre des bruits ou vibrations inhabituels, éteignez immédiatement la machine pour l'arrêter. Retirez la batterie de la machine et inspectez cette dernière pour vérifier l'absence de dommages avant de la redémarrer et de l'utiliser. Si la machine est endommagée, demandez à votre centre de service après-vente Makita agréé de la réparer.
14. N'insérez ni les doigts ni aucun objet dans l'entrée d'aspiration ou dans la sortie de souffleur.
15. Prévenez le démarrage accidentel. Assurez-vous que l'interrupteur est en position d'arrêt avant d'insérer la batterie et avant de saisir ou de transporter la machine. Transporter la machine avec le doigt sur l'interrupteur ou la mettre sous tension alors que son interrupteur est en position de marche ouvre la porte aux accidents.
16. Ne soufflez ou n'aspirez jamais des matériaux dangereux, tels que des clous, des fragments de verre ou des lames.
17. N'utilisez pas la machine près de matériaux inflammables.

18. Évitez d'utiliser la machine pendant une période prolongée dans un environnement à basse température.
19. Utilisez toujours le sac à poussières lorsque vous collectez des poussières, des copeaux, etc.
20. Ne collectez pas les cendres de cigarettes encore fumantes, les copeaux de métaux fraîchement coupés, les vis, les clous, etc.

Entretien et remisage

1. Assurez-vous que tous les écrous, boulons et vis sont bien serrés pour garantir un fonctionnement sécuritaire de la machine.
2. Si des pièces sont usées ou endommagées, remplacez-les avec des pièces fournies par Makita.
3. Remisez la machine dans un endroit sec, hors de la portée des enfants.
4. Lorsque vous arrêtez la machine pour inspection, réparation, remisage ou changement d'accessoire, éteignez-la et assurez-vous que toutes les pièces mobiles s'arrêtent complètement, et retirez la batterie. Laissez refroidir la machine avant toute intervention sur celle-ci. Entretenez soigneusement la machine et gardez-la propre.
5. Laissez toujours refroidir la machine avant de la remiser.
6. Lorsque vous soulevez la machine, veillez à plier les genoux et prenez garde de vous blesser au dos.

Utilisation et entretien de l'outil à batterie

1. Prévenez le démarrage accidentel. Assurez-vous que l'interrupteur est en position d'arrêt avant de connecter la machine à la batterie, de la saisir ou de la transporter. Transporter la machine avec le doigt sur l'interrupteur ou la mettre sous tension alors que son interrupteur est en position de marche ouvre la porte aux accidents.
2. Retirez la batterie de la machine avant de procéder à des réglages, au remplacement d'accessoires ou au rangement de la machine. De telles mesures de sécurité préventives réduisent le risque de démarrage accidentel de la machine.
3. Ne la rechargez qu'avec le chargeur spécifié par le fabricant. Un chargeur conçu pour un certain type de batterie risque de déclencher un incendie s'il est utilisé avec une autre batterie.
4. N'utilisez les machines qu'avec leurs batteries spécifiques. Les autres batteries risqueraient de vous blesser ou de provoquer un incendie.
5. Lorsque la batterie n'est pas utilisée, tenez-la à distance des objets métalliques tels que trombones, pièces de monnaie, clés, clous, vis ou autres petits objets métalliques, conducteurs potentiels entre une borne et une autre. Un court-circuit entre les bornes de la batterie peut provoquer des brûlures ou un incendie.
6. Dans des conditions d'utilisation inadéquates de la batterie, il peut y avoir fuite d'électrolyte; évitez tout contact. En cas de contact accidentel, rincez avec beaucoup d'eau. Si du liquide entre en contact avec les yeux, consultez un médecin. Le liquide qui gicle de la batterie peut provoquer des irritations ou des brûlures.

7. N'utilisez pas une batterie ou une machine endommagée ou modifiée. Les batteries endommagées ou modifiées peuvent se comporter de manière imprévisible et entraîner un incendie, une explosion ou un risque de blessure.
8. N'exposez pas une batterie ou une machine au feu ou à une température excessive. L'exposition au feu ou à une température supérieure à 130 °C (265 °F) peut provoquer une explosion.
9. Suivez toutes les instructions de charge et ne chargez pas la batterie ou la machine à l'extérieur de la plage de température spécifiée dans les instructions. Effectuer la charge de manière inadéquate ou à une température hors de la plage spécifiée peut endommager la batterie et faire augmenter le risque d'incendie.
10. L'entretien doit être confié à un réparateur qualifié et n'utilisant que des pièces de rechange identiques aux pièces d'origine. Cela assurera le maintien du produit dans un état sécuritaire.
11. Ne modifiez pas et n'essayez pas de réparer la machine ou la batterie autrement que tel qu'indiqué dans les instructions d'utilisation et d'entretien.

Consignes de sécurité concernant l'alimentation électrique et la batterie

1. Ne jetez pas la/les batterie(s) au feu. L'élément pourrait exploser. Vérifiez la réglementation de votre région pour savoir s'il existe des directives particulières sur l'élimination.
2. N'ouvrez pas et n'endommagez pas la/les batterie(s). L'électrolyte qui s'échappe est corrosif et peut provoquer des dommages aux yeux ou à la peau. Il peut être toxique s'il est ingéré.
3. Ne chargez pas la batterie sous la pluie ou dans les emplacements humides.
4. Ne chargez pas la batterie à l'extérieur.
5. Ne manipulez pas le chargeur, y compris sa fiche et ses bornes, avec les mains mouillées.
6. Évitez les environnements dangereux. N'utilisez pas l'outil dans les endroits humides ou mouillés, et ne l'exposez pas à la pluie. L'infiltration d'eau dans l'outil accroît le risque de décharge électrique.

Réparation

1. Faites réparer votre outil électrique par un réparateur qualifié qui utilise des pièces de rechange identiques aux pièces d'origine. Le maintien de la sûreté de l'outil électrique sera ainsi assuré.
2. N'essayez jamais de réparer les batteries endommagées. La réparation des batteries ne doit être effectuée que par le fabricant ou par un fournisseur de service après-vente agréé.

CONSERVEZ CES INSTRUCTIONS.

⚠ MISE EN GARDE : NE vous laissez PAS tromper (au fil d'une utilisation répétée) par un sentiment d'aisance ou de familiarité avec le produit en négligeant les consignes de sécurité qui accompagnent le produit.

UNE UTILISATION INCORRECTE ou le non-respect des règles de sécurité énoncées dans le présent manuel d'instructions peut provoquer des blessures graves.

⚠ MISE EN GARDE : L'utilisation de ce produit peut générer des poussières contenant des substances chimiques, lesquelles peuvent causer des problèmes respiratoires ou autres maladies. Parmi ces substances chimiques figurent les composés que l'on retrouve dans les pesticides, insecticides, fertilisants et herbicides.

Les risques liés à l'exposition varient suivant la fréquence d'exécution du type de travail en question. Pour réduire votre exposition à ces substances chimiques : travaillez dans un emplacement bien aéré et avec des dispositifs de sécurité approuvés, tels que les masques antipoussières spécialement conçus pour filtrer les particules microscopiques.

Symboles

Les symboles utilisés pour l'outil sont indiqués ci-dessous.

V	volts
—	courant continu

Consignes de sécurité importantes pour la batterie

1. Avant d'utiliser la batterie, lisez toutes les instructions et les mises en garde apposées sur (1) le chargeur de batterie, (2) la batterie et (3) le produit utilisant la batterie.
2. Ne démontez pas et ne modifiez pas la batterie. Cela peut entraîner un incendie, une chaleur excessive ou une explosion.
3. Cessez immédiatement l'utilisation si le temps de fonctionnement devient excessivement court. Il y a risque de surchauffe, de brûlures, voire d'explosion.
4. Si l'électrolyte pénètre dans vos yeux, rincez-les à l'eau claire et consultez immédiatement un médecin. Il y a risque de perte de la vue.
5. Ne court-circuitez pas la batterie :
 - (1) Ne touchez les bornes avec aucun matériau conducteur.
 - (2) Évitez de ranger la batterie dans un conteneur avec d'autres objets métalliques tels que clous, pièces de monnaie, etc.
 - (3) Évitez d'exposer la batterie à l'eau ou à la pluie.

Un court-circuit de la batterie pourrait provoquer un fort courant, une surchauffe, parfois des brûlures et même une panne.

6. Ne rangez pas et n'utilisez pas l'outil ou la batterie dans des emplacements où la température peut atteindre ou dépasser 50 °C (122 °F).
7. Ne jetez pas la batterie au feu même si elle est sérieusement endommagée ou complètement épuisée. La batterie peut exploser au contact du feu.
8. Évitez de clouer, de couper, d'écraser, de lancer ou d'échapper la batterie, ou de heurter un objet dur contre la batterie. Cela peut entraîner un incendie, une chaleur excessive ou une explosion.
9. N'utilisez pas une batterie si elle est endommagée.
10. Les batteries lithium-ion fournies sont soumises aux exigences de la législation sur les marchandises dangereuses. Des exigences particulières sur l'emballage et l'étiquetage doivent être respectées lors du transport commercial par des tiers, des transitaires, etc. Pour préparer la marchandise à expédier, consultez un expert en matériaux dangereux si nécessaire. Respectez aussi les éventuelles réglementations nationales plus détaillées. Recouvrez de ruban isolant les contacts exposés, et emballez la batterie de sorte qu'elle ne puisse pas se déplacer à l'intérieur de l'emballage.
11. Lors de l'élimination de la batterie, retirez-la de l'outil et éliminez-la dans un endroit sûr. Respectez la réglementation locale concernant l'élimination de la batterie.
12. N'utilisez les batteries qu'avec les produits spécifiés par Makita. Installer les batteries sur des produits non conformes peut entraîner un incendie, une chaleur excessive, une explosion ou une fuite d'électrolyte.
13. Si l'outil reste inutilisé pour une période prolongée, la batterie doit en être retirée.
14. Pendant et après l'utilisation, la batterie peut accumuler de la chaleur, ce qui peut causer des brûlures ou des brûlures à basse température. Faites attention lors de la manipulation des batteries chaudes.
15. Ne touchez pas la borne de l'outil immédiatement après l'utilisation, car elle peut être assez chaude pour causer des brûlures.
16. Ne laissez pas les copeaux, les poussières ou la terre se coincer dans les bornes, les trous et les rainures de la batterie. Cela peut entraîner un fonctionnement médiocre ou une panne de l'outil ou de la batterie.
17. À moins que l'outil ne soit compatible avec l'utilisation à proximité des lignes électriques haute tension, n'utilisez pas la batterie à proximité d'une ligne électrique haute tension. Cela peut entraîner un dysfonctionnement ou une panne de l'outil ou de la batterie.
18. Gardez la batterie à l'écart des enfants.

CONSERVEZ CES INSTRUCTIONS.

⚠ ATTENTION : Utilisez exclusivement les batteries fabriquées par Makita. Les batteries autres que celles fabriquées par Makita ou les batteries modifiées peuvent exploser et causer un incendie, une blessure ou des dommages. Cela annule aussi la garantie Makita de l'outil et du chargeur Makita.

Conseils pour maintenir la durée de service maximale de la batterie

1. Rechargez la batterie avant qu'elle ne soit complètement déchargée. Arrêtez toujours l'outil et rechargez la batterie quand vous remarquez que la puissance de l'outil diminue.
2. Ne rechargez jamais une batterie complètement chargée. La surcharge réduit la durée de service de la batterie.
3. Chargez la batterie à une température ambiante comprise entre 10 °C et 40 °C (50 °F et 104 °F). Si la batterie est chaude, laissez-la refroidir avant de la charger.
4. Lorsque vous n'utilisez pas la batterie, retirez-la de l'outil ou du chargeur.

ASSEMBLAGE

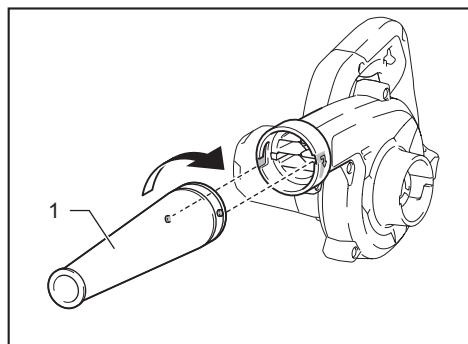
⚠ ATTENTION : Assurez-vous toujours que la machine est éteinte et que sa batterie est retirée avant d'effectuer tout travail sur la machine.

Assemblage pour le soufflage

Pose ou retrait de la buse

Accessoire en option pour UB101D

Alignez les parties saillantes de la buse sur les rainures de l'unité principale, insérez la buse dans l'unité principale, puis tournez-la pour la verrouiller en place.



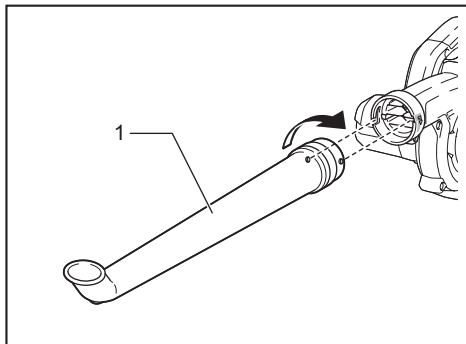
► 1. Buse

Pour retirer la buse, effectuez le contraire de la procédure d'installation.

Pose ou retrait de la buse de jardin

Accessoire en option pour UB100D

Alignez les parties saillantes de la buse de jardin sur les rainures de l'unité principale, insérez la buse de jardin dans l'unité principale, puis tournez-la pour la verrouiller en place.



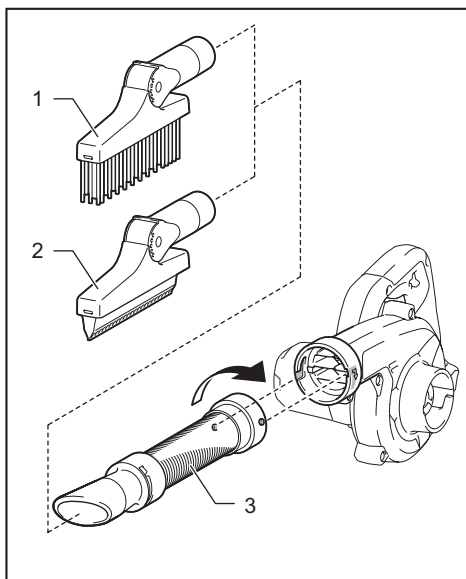
► 1. Buse de jardin

Pour retirer la buse de jardin, effectuez le contraire de la procédure d'installation.

Pose ou retrait de la buse-brosse et de la buse-raclette

Accessoire en option pour UB100D / UB101D

Fixez la buse-brosse ou la buse-raclette au tuyau flexible, puis installez le tuyau flexible sur l'unité principale.



► 1. Buse-brosse 2. Buse-raclette 3. Tuyau flexible

Pour retirer la buse-brosse ou la buse-raclette, suivez la procédure d'installation en sens inverse.

Pose ou retrait de la buse longue

Accessoire en option pour UB100D / UB101D

Posez la buse longue de la même façon que la buse. Pour retirer la buse longue, effectuez le contraire de la procédure d'installation.

Pose ou retrait de la buse fuselée

Accessoire en option pour UB100D / UB101D

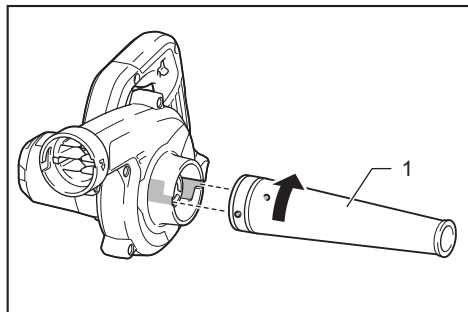
Fixez la buse fuselée à la buse, puis posez la buse sur l'unité principale. Pour retirer la buse fuselée, effectuez le contraire de la procédure d'installation.

Assemblage pour aspiration

Pose ou retrait de la buse

Accessoire en option pour UB101D

Alignez les parties saillantes de la buse sur les rainures de l'unité principale, insérez la buse dans l'unité principale, puis tournez-la pour la verrouiller en place.



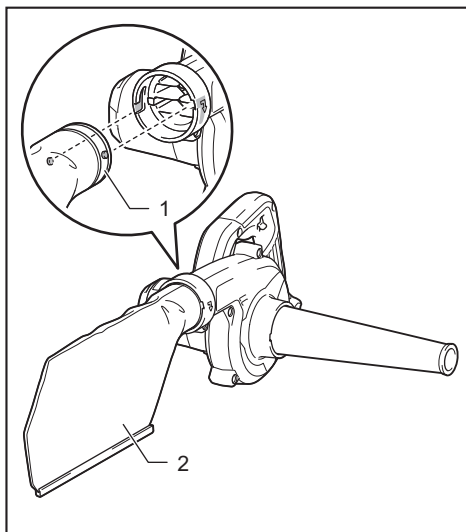
► 1. Buse

Pour retirer la buse, effectuez le contraire de la procédure d'installation.

Pose ou retrait du sac à poussières

Accessoire en option pour UB100D / UB101D

Alignez les parties saillantes du raccord du sac à poussières sur les rainures de l'unité principale, insérez le raccord dans l'unité principale, puis tournez-le pour le verrouiller en place.



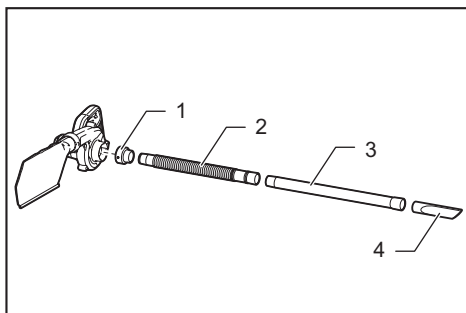
► 1. Raccord 2. Sac à poussières

Pour retirer le sac à poussières, effectuez le contraire de la procédure d'installation.

Pose ou retrait de l'ensemble de boyau souple

Accessoire en option pour UB100D / UB101D

Fixez le raccord, le tuyau flexible, le tube et la buse pour châssis sur l'unité principale, dans cet ordre.



► 1. Raccord 2. Tuyau flexible 3. Tube 4. Buse pour châssis

Pour retirer l'ensemble de boyau souple, effectuez le contraire de la procédure d'installation.

DESCRIPTION DU FONCTIONNEMENT

⚠ ATTENTION : Assurez-vous toujours que la machine est éteinte et que sa batterie est retirée avant de l'ajuster ou de vérifier son fonctionnement.

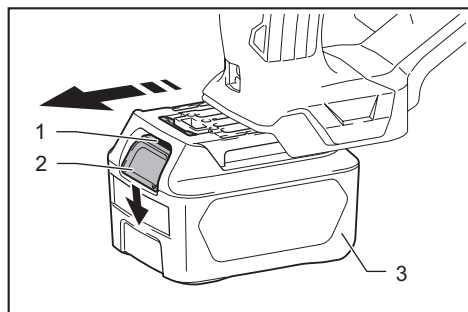
Installation ou retrait de la batterie

⚠ ATTENTION : Éteignez toujours la machine avant d'installer ou de retirer la batterie.

⚠ ATTENTION : Tenez fermement la machine et la batterie lors de la pose ou du retrait de la batterie. Sinon, la machine et la batterie pourraient vous glisser des mains, ce qui risque d'endommager la machine et la batterie, et de provoquer des blessures.

⚠ ATTENTION : Installez toujours la batterie à fond, jusqu'à ce que le voyant rouge ne soit plus visible. Autrement elle risque de tomber accidentellement de la machine et d'entraîner des blessures.

⚠ ATTENTION : Ne forcez pas sur la batterie pour l'installer. Si la batterie ne glisse pas facilement, c'est qu'elle n'est pas insérée correctement.



► 1. Indicateur rouge 2. Bouton 3. Batterie

Pour retirer la batterie, faites-la glisser de la machine tout en faisant glisser le bouton qui se trouve à l'avant de la batterie.

Pour installer la batterie, alignez sa languette sur la rainure pratiquée dans le boîtier, et glissez la batterie en place. Insérez-la à fond jusqu'à ce que vous entendiez un léger dé clic. Si vous pouvez voir l'indicateur rouge sur le dessus du bouton, la batterie n'est pas complètement verrouillée.

Dispositif de protection de la batterie

La machine est équipée d'un dispositif de protection de la batterie. Ce système coupe automatiquement l'alimentation du moteur pour prolonger la durée de vie de la batterie. La machine s'arrête automatiquement pendant l'utilisation lorsque la machine et/ou la batterie sont dans l'une des situations suivantes :

En surcharge :

La machine est utilisée d'une manière entraînant une consommation anormalement élevée de courant. Dans ce cas, éteignez la machine et arrêtez l'application qui entraîne une surcharge de la machine. Allumez ensuite la machine pour redémarrer.

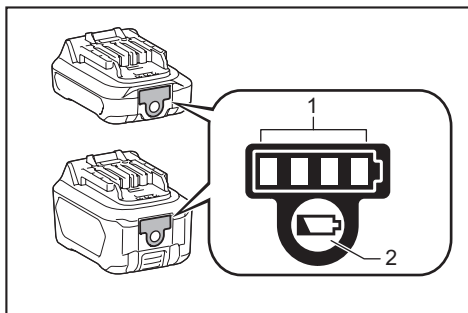
Si la machine ne démarre pas, c'est que la batterie est surchauffée. Dans ce cas, laissez refroidir la batterie avant de rallumer la machine.

Tension de la batterie faible :

La charge restante de la batterie est trop basse et la machine ne fonctionnera pas. Si vous allumez la machine, le moteur tourne de nouveau mais s'arrête aussitôt. Le cas échéant, retirez et rechargez la batterie.

Affichage de la charge restante de la batterie

Uniquement pour les batteries avec voyant



► 1. Témoins indicateurs 2. Bouton de vérification

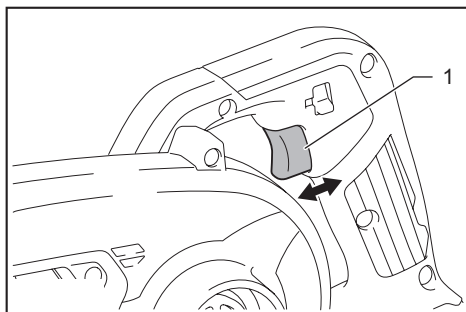
Appuyez sur le bouton de vérification de la batterie pour afficher la charge restante de la batterie. Les témoins indicateurs s'allument pendant quelques secondes.

Témoins indicateurs		Capacité restante
Allumé	Éteint	
■ ■ ■ ■	□	75 % à 100 %
■ ■ ■ □	□	50 % à 75 %
■ ■ □ □	□	25 % à 50 %
■ □ □ □	□	0 % à 25 %

NOTE : Suivant les conditions d'utilisation et la température ambiante, il se peut que l'indication soit légèrement différente de la charge réelle.

Interrupteur

⚠ MISE EN GARDE : Avant d'installer la batterie dans la machine, vérifiez toujours si la gâchette fonctionne correctement et revient en position d'arrêt lorsque libérée.

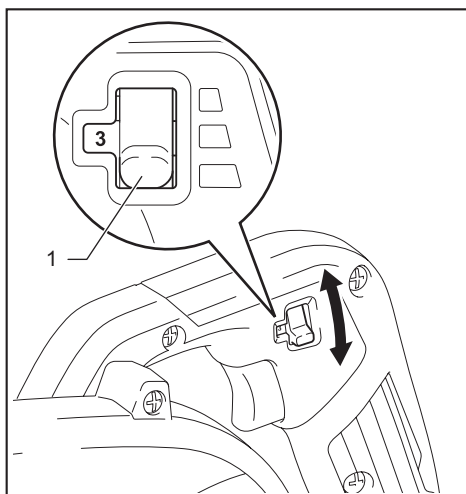


► 1. Gâchette

Pour démarrer la machine, appuyez sur la gâchette. La vitesse augmente à mesure que vous augmentez la pression sur la gâchette. Pour arrêter, libérez la gâchette.

AVIS : Si la machine a été utilisée continuellement jusqu'à ce que la batterie s'épuise, laissez-la reposer pendant au moins 15 minutes avant de l'utiliser avec une batterie fraîche.

Cadran de réglage de la vitesse



► 1. Cadran de réglage de la vitesse

La vitesse peut être ajustée en tournant le cadran de réglage de la vitesse sur un numéro de réglage donné, de 1 à 3. Une vitesse plus élevée est obtenue lorsque le cadran est tourné dans le sens du numéro 3. Une vitesse plus basse est obtenue lorsqu'il est tourné dans le sens du numéro 1. Reportez-vous au tableau pour le rapport entre le numéro de réglage sur le cadran et la vitesse.

Numéro	Vitesse
3	Élevée
2	Moyenne
1	Basse

AVIS : Lorsque vous tournez le cadran, vous devez libérer complètement la gâchette. Autrement, la machine risque d'être endommagée.

UTILISATION

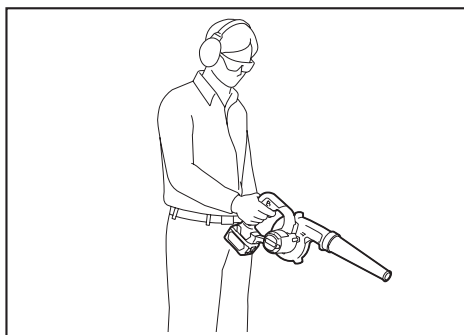
⚠ ATTENTION : Ne mettez pas la machine sur le sol pendant qu'elle est allumée. Du sable ou des poussières peuvent pénétrer par l'entrée d'aspiration et provoquer un dysfonctionnement ou des blessures.

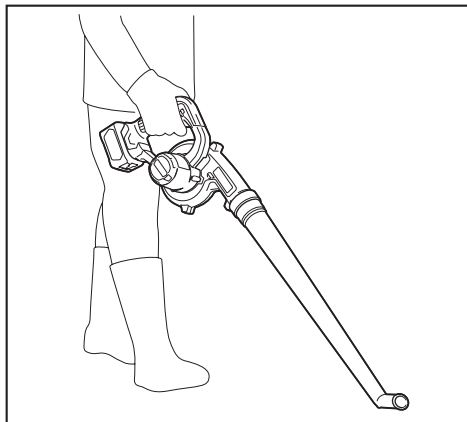
Utilisation en tant que souffleur

⚠ ATTENTION : Lors de l'exécution du travail de soufflage, pensez à retirer le sac à poussières de la machine, et mettez la buse en place pour le soufflage.

Tenez fermement la machine avec la main et effectuez le soufflage en la déplaçant lentement. Lorsque vous soufflez autour d'un bâtiment, d'une grosse pierre ou d'un véhicule, ne pointez pas la buse vers ces derniers. Lorsque vous travaillez dans un coin, commencez par le coin puis passez à la zone large.

Pour UB100D





Travail d'aspiration

⚠ ATTENTION : Lors de l'exécution du travail d'aspiration, pensez à mettre en place le sac à poussières et la buse sur la machine.

⚠ ATTENTION : Vérifiez régulièrement l'usure ou la détérioration du sac à poussières.

⚠ ATTENTION : Avant d'utiliser la machine, veillez à fermer la fermeture du sac à poussières.

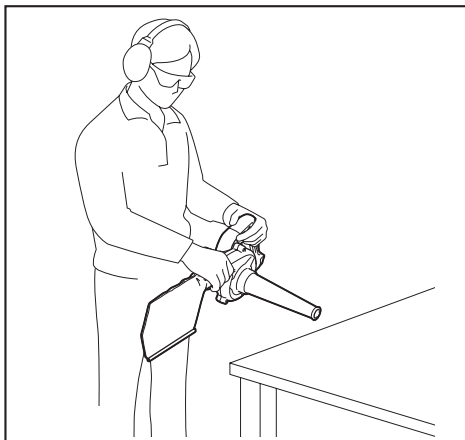
⚠ ATTENTION : Éteignez toujours la machine avant d'ouvrir ou de fermer la fermeture du sac à poussières.

AVIS : Lors de l'exécution du travail d'aspiration, n'utilisez pas la buse de jardin. Les matières aspirées risqueraient de s'y coincer et d'entraîner un dysfonctionnement de la machine.

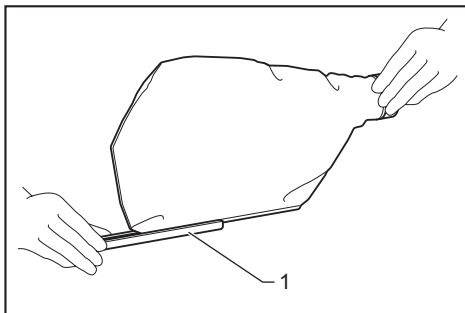
AVIS : Ne laissez pas la machine aspirer les matières mouillées telles que les feuilles mouillées, et les corps étrangers tels que les gros copeaux de bois, morceaux de métal ou de verre, cailloux, etc. Autrement, il y a risque de dysfonctionnement.

AVIS : Videz le sac à poussières avant qu'il ne soit plein. Autrement, il y a risque de dysfonctionnement.

Tenez la machine à deux mains. Pendant l'utilisation de la machine, ajustez la pression sur la gâchette de sorte que la puissance d'aspiration soit adaptée à l'emplacement et aux conditions de travail.



Videz le sac à poussières avant qu'il ne soit trop plein, en le retirant de la machine puis en retirant l'attache.



► 1. Attache

ENTRETIEN

⚠ ATTENTION : Assurez-vous toujours que la machine est éteinte et que la batterie est retirée avant d'y effectuer tout travail d'inspection ou d'entretien.

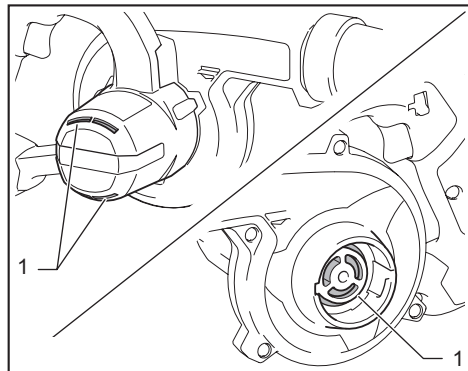
Pour maintenir la SÉCURITÉ et la FIABILITÉ du produit, les réparations et tout autre travail d'entretien ou de réglage doivent être effectués dans un centre de service après-vente autorisé ou une usine Makita, exclusivement avec des pièces de rechange Makita.

Nettoyage de la machine

Nettoyez la machine en essuyant les poussières avec un linge sec ou trempé dans une eau savonneuse et essoré.

AVIS : N'utilisez jamais d'essence, de benzine, de solvant, d'alcool ou autres produits similaires. Une décoloration, une déformation ou la formation de fissures peuvent en découler.

Retirez les poussières ou saletés des entrées d'aspiration.



► 1. Entrée d'aspiration

DÉPANNAGE

Avant de faire une demande de réparation, faites d'abord votre propre inspection. Si vous rencontrez un problème non indiqué dans ce manuel, n'essayez pas de démonter la machine. Demandez plutôt à un centre de service après-vente Makita agréé de faire la réparation avec des pièces de rechange Makita.

État anormal	Cause probable (dysfonctionnement)	Solution
Le moteur ne tourne pas.	La batterie n'est pas installée.	Installez la batterie.
	Problème de batterie (tension insuffisante)	Rechargez la batterie. Si la recharge est sans effet, remplacez la batterie.
	Le dispositif d'entraînement ne fonctionne pas bien.	Demandez à votre centre local de service après-vente agréé d'effectuer la réparation.
Le moteur cesse de tourner au bout d'un court instant.	La charge de la batterie est faible.	Rechargez la batterie. Si la recharge est sans effet, remplacez la batterie.
	Surchauffe.	Cessez l'utilisation de la machine pour la laisser refroidir.
La machine n'atteint pas la vitesse maximale.	La batterie est mal installée.	Installez la batterie tel que décrit dans ce manuel.
	La puissance de la batterie diminue.	Rechargez la batterie. Si la recharge est sans effet, remplacez la batterie.
	Le dispositif d'entraînement ne fonctionne pas bien.	Demandez à votre centre local de service après-vente agréé d'effectuer la réparation.
Vibration anormale : ⇒ arrêtez immédiatement la machine !	Le dispositif d'entraînement ne fonctionne pas bien.	Demandez à votre centre local de service après-vente agréé d'effectuer la réparation.
Le moteur ne peut pas s'arrêter : ⇒ Retirez immédiatement la batterie !	Dysfonctionnement électrique ou électronique.	Retirez la batterie et demandez à votre centre local de service après-vente agréé d'effectuer la réparation.

ACCESSOIRES EN OPTION

⚠ ATTENTION : Ces accessoires ou pièces complémentaires sont recommandés pour l'utilisation avec le produit Makita spécifié dans ce manuel. L'utilisation de tout autre accessoire ou pièce complémentaire peut comporter un risque de blessure. N'utilisez les accessoires ou pièces complémentaires qu'aux fins auxquelles ils ont été conçus.

Si vous désirez obtenir plus de détails sur ces accessoires, veuillez contacter le centre de service après-vente Makita le plus près.

- Buse
- Buse de jardin
- Sac à poussières
- Buse longue
- Buse fuselée
- Ensemble de boyau souple
- Tuyau flexible complet (pour buse-brosse / buse-raclette)
- Buse-brosse
- Buse-raclette
- Chargeur et batterie authentiques Makita

NOTE : Certains éléments de la liste peuvent être inclus dans l'emballage du produit comme accessoires standard. Ils peuvent varier d'un pays à l'autre.

GARANTIE LIMITÉE MAKITA

Pour les conditions de garantie en vigueur qui s'appliquent à ce produit, veuillez vous reporter à la feuille de garantie en annexe. Si la feuille de garantie en annexe n'est pas disponible, reportez-vous aux détails de la garantie présentés sur le site Web de votre pays, ci-dessous.

États-Unis d'Amérique: www.makitatools.com

Canada: www.makita.ca

Autres pays: www.makita.com

ESPECIFICACIONES

Modelo:		UB100D	UB101D
Capacidades	Volumen de aire *1	0 m ³ /min a 2,6 m ³ /min (0 cu.ft./min a 92 cu.ft./min)	
	Velocidad del aire (promedio)	0 m/s a 62 m/s (0 MPH a 139 MPH) *2	0 m/s a 45 m/s (0 MPH a 101 MPH) *3
	Velocidad del aire (máx.)	0 m/s a 75 m/s (0 MPH a 168 MPH) *2	0 m/s a 56 m/s (0 MPH a 125 MPH) *3
Longitud total		508 mm (20") *4	852 mm (33-1/2") *5
Tensión nominal		10,8 V - 12 V c.c. máx.	
Peso neto	Con boquilla	1,4 - 1,9 kg (3,1 - 4,2 lbs)	-
	Con boquilla para jardín	-	1,4 - 1,9 kg (3,1 - 4,2 lbs)

*1. Sin boquillas.

*2. Con boquilla.

*3. Con boquilla para jardín.

*4. Con boquilla y cartucho de batería (BL1041B) y sin bolsa recolectora de polvo.

*5. Con boquilla para jardín y cartucho de batería (BL1041B) y sin bolsa recolectora de polvo.

- Debido a nuestro continuo programa de investigación y desarrollo, las especificaciones aquí incluidas están sujetas a cambio sin previo aviso.
- Las especificaciones pueden variar de país a país.
- El peso puede variar en función de los accesorios, incluido el cartucho de batería. En la tabla se muestra la combinación de peso más ligero y más pesado conforme al procedimiento 01/2014 de EPTA.

Cartucho de batería y cargador aplicables

Cartucho de batería	BL1016 / BL1021B / BL1041B
Cargador	DC10SB / DC10WD / DC18RE

- Algunos de los cartuchos de batería y cargadores enumerados arriba podrían no estar disponibles dependiendo de su área de residencia.

⚠ ADVERTENCIA: Use únicamente los cartuchos de batería y los cargadores indicados arriba. El uso de cualquier otro cartucho de batería y cargador podría ocasionar una lesión y/o un incendio.

ADVERTENCIAS DE SEGURIDAD

Advertencias generales de seguridad para herramientas eléctricas

⚠ ADVERTENCIA: Lea todas las advertencias de seguridad, instrucciones, ilustraciones y especificaciones suministradas con esta herramienta eléctrica. El no seguir todas las instrucciones indicadas a continuación podría ocasionar una descarga eléctrica, incendio y/o lesiones graves.

Conserve todas las advertencias e instrucciones como referencia en el futuro.

En las advertencias, el término "herramienta eléctrica" se refiere a su herramienta eléctrica de funcionamiento con conexión a la red eléctrica (con cableado eléctrico) o herramienta eléctrica de funcionamiento a batería (inalámbrica).

Seguridad en el área de trabajo

1. **Mantenga el área de trabajo limpia y bien iluminada.** Las áreas oscuras o desordenadas son propensas a accidentes.
2. **No utilice las herramientas eléctricas en atmósferas explosivas, tal como en la presencia de líquidos, gases o polvo inflamables.** Las herramientas eléctricas crean chispas que pueden prender fuego al polvo o los humos.
3. **Mantenga a los niños y curiosos alejados mientras utiliza una herramienta eléctrica.** Las distracciones le pueden hacer perder el control.

Seguridad eléctrica

1. **Las clavijas de conexión de las herramientas eléctricas deberán encajar perfectamente en la toma de corriente. No modifique nunca la clavija de conexión de ninguna forma. No utilice ninguna clavija adaptadora con herramientas eléctricas que tengan conexión a tierra (puesta a tierra).** La utilización de clavijas no modificadas y que encajen perfectamente en la toma de corriente reducirá el riesgo de que se produzca una descarga eléctrica.

2. **Evite tocar con el cuerpo superficies conectadas a tierra o puestas a tierra tales como tubos, radiadores, cocinas y refrigeradores.** Si su cuerpo es puesto a tierra o conectado a tierra existirá un mayor riesgo de que sufra una descarga eléctrica.
3. **No exponga las herramientas eléctricas a la lluvia ni a condiciones húmedas.** La entrada de agua en una herramienta eléctrica aumentará el riesgo de que se produzca una descarga eléctrica.
4. **No maltrate el cable. Nunca utilice el cable para transportar, jalar o desconectar la herramienta eléctrica. Mantenga el cable alejado del calor, aceite, objetos cortantes o piezas móviles.** Los cables dañados o enredados aumentan el riesgo de sufrir una descarga eléctrica.
5. **Cuando utilice una herramienta eléctrica en exteriores, utilice un cable de extensión apropiado para uso en exteriores.** La utilización de un cable apropiado para uso en exteriores reducirá el riesgo de que se produzca una descarga eléctrica.
6. **Si no es posible evitar usar una herramienta eléctrica en condiciones húmedas, utilice un alimentador protegido con interruptor de circuito de falla a tierra (ICFT).** El uso de un ICFT reduce el riesgo de descarga eléctrica.
7. **Las herramientas eléctricas pueden producir campos electromagnéticos (CEM) que no son dañinos para el usuario.** Sin embargo, si los usuarios tienen marcapasos y otros dispositivos médicos similares, deberán consultar al fabricante de su dispositivo y/o a su médico antes de operar esta herramienta eléctrica.
6. **Use una vestimenta apropiada. No use ropa suelta ni alhajas. Mantenga el cabello, la ropa y los guantes alejados de las piezas móviles.** Las prendas de vestir holgadas, las alhajas y el cabello largo suelto podrían engancharse en estas piezas móviles.
7. **Si dispone de dispositivos para la conexión de equipos de extracción y recolección de polvo, asegúrese de conectarlos y utilizarlos debidamente.** Hacer uso de la recolección de polvo puede reducir los riesgos relacionados con el polvo.
8. **No permita que la familiaridad adquirida debido al uso frecuente de las herramientas haga que se sienta confiado e ignore los principios de seguridad de las herramientas.** Un descuido podría ocasionar una lesión grave en una fracción de segundo.
9. **Utilice siempre gafas protectoras para proteger sus ojos de lesiones al usar herramientas eléctricas. Las gafas deben cumplir con la Norma ANSI Z87.1 en EUA.** Es responsabilidad del empleador imponer el uso de equipos protectores de seguridad apropiados a los operadores de la herramienta y demás personas cerca del área de trabajo.

Mantenimiento y uso de la herramienta eléctrica

1. **No fuerce la herramienta eléctrica. Utilice la herramienta eléctrica correcta para su aplicación.** La herramienta eléctrica adecuada hará un mejor trabajo y de forma más segura a la velocidad para la que ha sido fabricada.
2. **No utilice la herramienta eléctrica si el interruptor no la enciende y apaga.** Cualquier herramienta eléctrica que no pueda ser controlada con el interruptor es peligrosa y debe ser reemplazada.
3. **Desconecte la clavija de la fuente de alimentación y/o retire la batería de la herramienta eléctrica, en caso de ser removible, antes de realizar ajustes, cambiar accesorios o almacenar las herramientas eléctricas.** Tales medidas de seguridad preventivas reducirán el riesgo de poner en marcha la herramienta eléctrica de forma accidental.
4. **Guarde la herramienta eléctrica que no use fuera del alcance de los niños y no permita que las personas que no están familiarizadas con ella o con las instrucciones la operen.** Las herramientas eléctricas son peligrosas en manos de personas que no saben operarlas.
5. **Dé mantenimiento a las herramientas eléctricas y los accesorios. Compruebe que no haya piezas móviles desalineadas o estancadas, piezas rotas y cualquier otra condición que pueda afectar al funcionamiento de la herramienta eléctrica. Si la herramienta eléctrica está dañada, haga que la reparen antes de utilizarla.** Muchos de los accidentes son ocasionados por no dar un mantenimiento adecuado a las herramientas eléctricas.
6. **Mantenga las herramientas de corte limpias y filosas.** Si recibe un mantenimiento adecuado y tiene los bordes afilados, es probable que la herramienta se atasque menos y sea más fácil controlarla.

Seguridad personal

1. **Manténgase alerta, preste atención a lo que está haciendo y utilice su sentido común cuando opere una herramienta eléctrica. No utilice una herramienta eléctrica cuando esté cansado o bajo la influencia de drogas, alcohol o medicamentos.** Un momento de distracción mientras opera las herramientas eléctricas puede terminar en una lesión grave.
2. **Use equipo de protección personal. Póngase siempre protección para los ojos.** El equipo protector tal como máscara contra el polvo, zapatos de seguridad antiderrapantes, casco rígido y protección para oídos utilizado en las condiciones apropiadas reducirá el riesgo de lesiones.
3. **Impida el encendido accidental. Asegúrese de que el interruptor esté en la posición de apagado antes de conectar a la alimentación eléctrica y/o de colocar el cartucho de batería, así como al levantar o cargar la herramienta.** Cargar las herramientas eléctricas con su dedo en el interruptor o enchufarlas con el interruptor encendido hace que los accidentes sean comunes.
4. **Retire cualquier llave de ajuste o llave de apriete antes de encender la herramienta.** Una llave de ajuste o llave de apriete que haya sido dejada puesta en una parte giratoria de la herramienta eléctrica puede ocasionar alguna lesión.
5. **No utilice la herramienta donde no alcance. Mantenga los pies sobre suelo firme y el equilibrio en todo momento.** Esto permite un mejor control de la herramienta eléctrica en situaciones inesperadas.

7. **Utilice la herramienta eléctrica, los accesorios y las brocas de acuerdo con estas instrucciones, considerando las condiciones laborales y el trabajo a realizar.** Si utiliza la herramienta eléctrica para realizar operaciones distintas de las indicadas, podrá presentarse una situación peligrosa.
8. **Mantenga los mangos y superficies de asimiento secos, limpios y libres de aceite o grasa.** Los mangos y superficies de asimiento resbalosos no permiten una manipulación segura ni el control de la herramienta en situaciones inesperadas.
9. **Cuando vaya a utilizar esta herramienta, evite usar guantes de trabajo de tela ya que éstos podrían atorarse.** Si los guantes de trabajo de tela llegaran a atorarse en las piezas móviles, esto podría ocasionar lesiones personales.

Uso y cuidado de la herramienta a batería

1. **Recargue sólo con el cargador especificado por el fabricante.** Un cargador que es adecuado para un solo tipo de batería puede generar riesgo de incendio al ser utilizado con otra batería.
2. **Utilice las herramientas eléctricas solamente con las baterías designadas específicamente para ellas.** La utilización de cualquier otra batería puede crear un riesgo de lesiones o incendio.
3. **Cuando no se esté usando la batería, manténgala alejada de otros objetos metálicos, como sujetapapeles (clips), monedas, llaves, clavos, tornillos u otros objetos pequeños de metal los cuales pueden actuar creando una conexión entre las terminales de la batería.** Originar un cortocircuito en las terminales puede causar quemaduras o incendios.
4. **En condiciones abusivas, podrá escapar líquido de la batería; evite tocarlo. Si lo toca accidentalmente, enjuague con agua. Si hay contacto del líquido con los ojos, busque asistencia médica.** Puede que el líquido expulsado de la batería cause irritación o quemaduras.
5. **No utilice una herramienta ni una batería que estén dañadas o hayan sido modificadas.** Las baterías dañadas o modificadas podrían ocasionar una situación inesperada provocando un incendio, explosión o riesgo de lesiones.
6. **No exponga la herramienta ni la batería al fuego ni a una temperatura excesiva.** La exposición al fuego o a una temperatura superior a los 130 °C podría causar una explosión.
7. **Siga todas las instrucciones para la carga y evite cargar la herramienta o la batería fuera del rango de temperatura especificado en las instrucciones.** Una carga inadecuada o a una temperatura fuera del rango especificado podría dañar la batería e incrementar el riesgo de incendio.

Servicio

1. **Haga que una persona calificada repare la herramienta eléctrica utilizando sólo piezas de repuesto idénticas.** Esto asegura que se mantenga la seguridad de la herramienta eléctrica.
2. **Nunca dé servicio a baterías que estén dañadas.** El servicio a las baterías solamente deberá ser efectuado por el fabricante o un agente de servicio autorizado.

3. **Siga las instrucciones para la lubricación y cambio de accesorios.**
4. **No modifique ni intente reparar el aparato ni el paquete de baterías salvo como se indique en las instrucciones para el uso y cuidado.**

INSTRUCCIONES IMPORTANTES DE SEGURIDAD

Al usar cualquier aparato eléctrico, siempre deben seguirse las precauciones básicas, incluyendo las siguientes:

LEA TODAS LAS INSTRUCCIONES ANTES DE USAR EL APARATO. ADVERTENCIA: Para reducir el riesgo de incendio, descarga eléctrica o lesión:

1. **No deje el aparato con la batería puesta. Retire la batería del aparato cuando no lo vaya a utilizar y antes de dar servicio de mantenimiento.**
2. **No lo exponga a la lluvia. Almacénelo en interiores.**
3. **No permita que sea utilizado como un juguete. Preste mucha atención cuando sea utilizado por niños o cerca de ellos.**
4. **Utilícelo solamente como se describe en este manual. Sólo use aditamentos recomendados por el fabricante.**
5. **No lo utilice con una batería dañada. Si el aparato no está funcionando como debiera, se ha dejado caer, se ha dañado, se ha dejado a la intemperie o ha caído sobre agua, llévelo a un centro de servicio.**
6. **No introduzca ningún objeto en las aberturas. No lo utilice con ninguna abertura bloqueada; manténgalo libre de polvo, pelusa, cabello y cualquier objeto que pueda reducir el flujo de aire.**
7. **Mantenga el cabello, la ropa holgada, los dedos y todas las partes del cuerpo lejos de las aberturas y piezas móviles.**
8. **Tenga especial cuidado cuando limpie en escaleras.**
9. **Utilice solamente el cargador suministrado por el fabricante para recargar.**
10. **No la utilice para recoger líquidos inflamables o combustibles, tal como gasolina, ni en áreas donde puedan estar presentes.**
11. **No recoja nada que se esté quemando o desprendiendo humo, tal como cigarrillos, fósforos o cenizas calientes.**
12. **No la utilice sin la bolsa recolectora de polvo colocada cuando recolecte polvo.**

GUARDE ESTAS INSTRUCCIONES.

Este aparato está diseñado para un uso doméstico.

Instrucciones de seguridad para la sopladora Inalámbrica

Preparación

1. Siempre use calzado robusto y pantalones largos al operar la máquina.
2. No use ropa holgada o alhajas que puedan ser jaladas hacia la entrada de aire. Mantenga el cabello largo lejos de las entradas de aire.
3. Use siempre gafas protectoras, una gorra y una mascarilla cuando utilice la máquina. Los anteojos comunes o para el sol NO son gafas de seguridad.
4. Para evitar la irritación por polvo, se recomienda el uso de una mascarilla.
5. Cuando opere la máquina use siempre calzado de protección con suela antiderrapante. Los zapatos y botas de seguridad cerrados con suela antideslizante reducen el riesgo de lesiones.

Operación

1. Nunca opere la máquina cuando haya personas, especialmente niños, o mascotas cerca.
2. Apague la máquina y retire el cartucho de batería y asegúrese de que todas las partes móviles se hayan detenido por completo
 - cada vez que deje la máquina.
 - antes de despejar obstrucciones.
 - antes de revisar, limpiar o trabajar en la máquina.
 - si la máquina empieza a vibrar de manera anormal.
 - cada vez que cambie la máquina de sopladora a aspiradora y viceversa.
3. Utilice la máquina solamente a la luz del día o en buenas condiciones de iluminación artificial.
4. No use una postura forzada y mantenga el equilibrio y los pies en firme en todo momento.
5. Nunca sople escombros en dirección de las personas cercanas.
6. Utilice la máquina en una posición recomendada y sobre una superficie firme.
7. No opere la máquina en lugares elevados.
8. Cuando utilice la máquina, no apunte nunca la boquilla a nadie alrededor.
9. Nunca bloquee la entrada de succión o la salida de la sopladora.
 - Tenga cuidado de no bloquear la entrada de succión o la salida de la sopladora con polvo o suciedad al operar en áreas con polvo.
 - No use boquillas que no sean las proporcionadas por Makita.
 - No utilice la sopladora para inflar pelotas, botes de caucho o similares.
10. No haga funcionar la máquina cerca de una ventana abierta, etc.
11. Se recomienda operar la máquina solo a horas razonables, no temprano en la mañana o tarde en la noche para no molestar a las personas.

12. Se recomienda usar rastrillos y escobas para aflojar los residuos antes de soplar.
13. Si la máquina golpea algún objeto extraño o comienza a hacer cualquier ruido o vibración inusual, apague la máquina inmediatamente para detenerlo. Retire el cartucho de batería de la máquina e inspeccione la máquina para verificar si hay algún daño antes de volver a encenderla y ponerla en funcionamiento. Si la máquina se daña, solicite la reparación a los centros de servicio autorizado de Makita.
14. No introduzca los dedos u otros objetos en la entrada de succión o en la salida de la sopladora.
15. Evite un arranque accidental. Asegúrese de que el interruptor esté en la posición apagada antes de insertar el cartucho de batería, levantar la máquina o cargarla. Cargar la máquina con su dedo en el interruptor o pasar energía a la máquina con el interruptor encendido puede propiciar accidentes.
16. Nunca sople o aspire materiales peligrosos, como clavos, fragmentos de vidrio o cuchillas.
17. No opere la máquina cerca de materiales inflamables.
18. Evite hacer funcionar la máquina durante mucho tiempo en ambientes de temperatura baja.
19. Siempre utilice la bolsa recolectora de polvo cuando recolecte polvo, rebabas y objetos similares.
20. No recoja cenizas de cigarrillos humeantes, virutas de metal recién cortadas, tornillos, clavos y similares.

Mantenimiento y almacenamiento

1. Mantenga apretados todos los tuercas, pernos y tornillos para asegurar que la máquina se encuentre en condiciones seguras de operación.
2. Si las piezas están desgastadas o dañadas, reemplácelas con piezas proporcionadas por Makita.
3. Guarde la máquina en un lugar seco fuera del alcance de los niños.
4. Cuando detenga la máquina para inspeccionarla, repararla, almacenarla o cambiarle un accesorio, apáguela y asegúrese de que todas las partes en movimiento se detengan por completo y retire el cartucho de batería. Enfríe la máquina antes de realizar cualquier trabajo en la misma. Mantenga la máquina con cuidado y manténgala limpia.
5. Siempre permita que la máquina se enfríe antes de almacenarla.
6. Cuando levante la máquina, asegúrese de doblar las rodillas y tenga cuidado de no lastimarse la espalda.

Uso y cuidado de la herramienta a batería

1. Evite una puesta en marcha accidental. Asegúrese de que el interruptor esté en la posición apagada antes de conectar el paquete de baterías, levantar la herramienta o cargarla. Cargar la herramienta con su dedo en el interruptor o pasar energía a la herramienta con el interruptor encendido puede propiciar accidentes.

2. **Desconecte el paquete de baterías de la herramienta antes de hacer cualquier ajuste, cambiar accesorios o almacenar la herramienta.** Estas medidas de seguridad preventivas reducen el riesgo de poner en marcha la herramienta accidentalmente.
3. **Recargue sólo con el cargador especificado por el fabricante.** Un cargador que sea adecuado para un tipo específico de paquete de batería puede generar un riesgo de incendio al usarse con un paquete de batería distinto.
4. **Use las herramientas únicamente con los paquetes de baterías designados específicamente para ellas.** El uso de otros paquetes de baterías puede generar riesgo de lesiones e incendio.
5. **Cuando no se esté usando el paquete de batería, manténgalo alejado de otros objetos metálicos, como sujetapapeles (clips), monedas, llaves, clavos, tornillos u otros objetos pequeños de metal que puedan crear una conexión entre una terminal y otra.** Causar un cortocircuito en las terminales de la batería puede provocar quemaduras o incendio.
6. **En condiciones de mal uso, podría escapar líquido de la batería; evite el contacto. Si toca el líquido accidentalmente, enjuague con agua. Si hay contacto del líquido con los ojos, solicite atención médica.** El líquido expulsado de la batería puede causar irritación o quemaduras.
7. **No utilice un paquete de baterías o una herramienta que esté dañado/dañada o haya sido modificado/modificada.** Las baterías dañadas o modificadas podrían comportarse de manera impredecible causando un incendio, explosión o riesgo de lesión.
8. **No exponga un paquete de baterías o una herramienta al fuego o a una temperatura excesiva.** La exposición al fuego a una temperatura superior a 130 °C (265 °F) podría causar una explosión.
9. **Siga todas las instrucciones relativas a la carga y no cargue el paquete de baterías o la herramienta fuera del rango de temperatura especificado en las instrucciones.** Cargar de manera inapropiada o a temperaturas fuera del rango especificado podría dañar la batería e incrementar el riesgo de incendio.
10. **Pida que el servicio lo realice un técnico en reparaciones calificado y que utilice únicamente piezas de repuesto idénticas a las originales.** Esto garantizará que se mantenga la seguridad del producto.
11. **No modifique ni intente reparar la herramienta ni el paquete de baterías salvo como se indique en las instrucciones para el uso y cuidado.**

Seguridad eléctrica y de la batería

1. **No arroje la(s) batería(s) al fuego.** La celda podría explotar. Consulte los códigos locales para ver si hay instrucciones especiales relativas al desecho.
2. **No abra ni dañe la(s) batería(s).** Los electrolitos liberados son corrosivos y pueden ocasionar daños en los ojos o la piel. Pueden ser tóxicos si se llegan a tragar.

3. **No cargue la batería bajo la lluvia ni en lugares mojados.**
4. **No cargue la batería en exteriores.**
5. **No manipule el cargador, incluida la la clavija del cargador, ni los terminales con las manos mojadas.**
6. **Evite los entornos peligrosos. No utilice la herramienta en lugares húmedos o mojados ni la esponja a la lluvia.** El agua que ingrese a la herramienta incrementará el riesgo de descarga eléctrica.

Servicio

1. **Haga que una persona calificada repare la herramienta eléctrica utilizando sólo piezas de repuesto idénticas.** Esto asegura que se mantenga la seguridad de la herramienta eléctrica.
2. **Nunca dé servicio a baterías que estén dañadas.** El servicio a las baterías solamente deberá ser efectuado por el fabricante o un agente de servicio autorizado.

CONSERVE ESTAS INSTRUCCIONES.

⚠️ ADVERTENCIA: NO DEJE que la comodidad o familiaridad con el producto (a base de utilizarlo repetidamente) evite que siga estrictamente las normas de seguridad para dicho producto.

El USO INCORRECTO o el no seguir las normas de seguridad indicadas en este manual de instrucciones puede ocasionar lesiones graves.

⚠️ ADVERTENCIA: El uso de este producto puede producir polvo que contenga sustancias químicas que podrían causar enfermedades respiratorias o de otro tipo. Algunos ejemplos de estas sustancias químicas son los compuestos encontrados en pesticidas, insecticidas, fertilizantes y herbicidas.

El riesgo al que se expone varía, dependiendo de la frecuencia con la que realice este tipo de trabajo. Para reducir la exposición a estas sustancias químicas: trabaje en un área bien ventilada y use un equipo de seguridad aprobado, tal como las máscaras contra polvo que están especialmente diseñadas para filtrar partículas microscópicas.

Símbolos

A continuación se muestran los símbolos utilizados para la herramienta.

v	volts o voltios
— — —	corriente directa o continua

Instrucciones importantes de seguridad para el cartucho de batería

1. Antes de utilizar el cartucho de batería, lea todas las instrucciones e indicaciones de precaución en el (1) el cargador de batería, (2) la batería, y (3) el producto con el que se utiliza la batería.
2. No desarme ni modifique el cartucho de batería. Podría ocurrir un incendio, calor excesivo o una explosión.
3. Si el tiempo de operación se ha acortado en exceso, deje de operar de inmediato. Podría correrse el riesgo de sobrecalentamiento, posibles quemaduras e incluso explosión.
4. En caso de que ingresen electrolitos en sus ojos, enjuáguelos bien con agua limpia y consulte de inmediato a un médico. Esto podría ocasionar pérdida de visión.
5. Evite cortocircuitar el cartucho de batería:
 - (1) No toque las terminales con ningún material conductor.
 - (2) Evite guardar el cartucho de batería en un cajón junto con otros objetos metálicos, tales como clavos, monedas, etc.
 - (3) No esponga el cartucho de batería al agua o lluvia.
6. No guarde ni utilice la herramienta y el cartucho de batería en lugares donde la temperatura pueda alcanzar o exceder los 50 °C (122 °F).
7. Nunca incinere el cartucho de batería incluso en el caso de que esté dañado seriamente o ya no sirva en absoluto. El cartucho de batería puede explotar si se tira al fuego.
8. No clave, corte, aplaste, lance o deje caer el cartucho de batería, ni golpee un objeto sólido contra el cartucho de batería. Dicha acción podría resultar en un incendio, calor excesivo o en una explosión.
9. No use una batería dañada.
10. Las baterías de ión de litio están sujetas a los requisitos reglamentarios en materia de bienes peligrosos.

Para el transporte comercial, por ej., mediante terceros o agentes de transporte, se deben tomar en cuenta los requisitos especiales relativos al empaque y el etiquetado.

Para efectuar los preparativos del artículo que se va a enviar, se requiere consultar a un experto en materiales peligrosos. Si es posible, consulte además otras regulaciones nacionales más detalladas.

Pegue o cubra con cinta adhesiva los contactos abiertos y empaque la batería de manera que ésta no pueda moverse dentro del paquete.

11. Para deshacerse del cartucho de batería, sáquelo de la herramienta y deséchelo en un lugar seguro. Siga las regulaciones locales relacionadas al desecho de las baterías.
12. Utilice las baterías únicamente con los productos especificados por Makita. Instalar las baterías en productos que no cumplan con los requisitos podría ocasionar un incendio, un calentamiento excesivo, una explosión o una fuga de electrolito.
13. Si no se utiliza la herramienta por un período largo, debe extraerse la batería de la herramienta.
14. El cartucho de batería podría absorber calor durante y después de su uso, lo que ocasionaría quemaduras o quemaduras a baja temperatura. Tenga cuidado con la manipulación de los cartuchos de batería que estén calientes.
15. No toque el terminal de la herramienta inmediatamente después de su uso, ya que el mismo podría estar lo suficientemente caliente como para provocarle quemaduras.
16. No permita que las rebabas, el polvo o la tierra queden atrapados en los terminales, orificios y ranuras del cartucho de batería. Esto podría ocasionar un desempeño deficiente o descomposición de la herramienta o del cartucho de batería.
17. No utilice el cartucho de batería cerca de cables eléctricos de alto voltaje, a menos que la herramienta sea compatible con el uso cercano a estos cables eléctricos de alto voltaje. Esto podría ocasionar una avería o descomposición de la herramienta o del cartucho de batería.
18. Mantenga la batería alejada de los niños.

GUARDE ESTAS INSTRUCCIONES.

⚠PRECAUCIÓN: Utilice únicamente baterías originales de Makita. El uso de baterías no originales de Makita, o de baterías alteradas, puede ocasionar que las baterías exploten causando un incendio, lesiones personales y daños. Asimismo, esto invalidará la garantía de Makita para la herramienta y el cargador Makita.

Consejos para alargar al máximo la vida útil de la batería

1. Cargue el cartucho de batería antes de que se descargue completamente. Pare siempre la operación y cargue el cartucho de batería cuando note menos potencia en la herramienta.
2. No cargue nunca un cartucho de batería que esté completamente cargado. La sobrecarga acortará la vida de servicio de la batería.
3. Cargue el cartucho de batería a una temperatura ambiente de 10 °C - 40 °C (50 °F - 104 °F). Si un cartucho de batería está caliente, déjelo enfriar antes de cargarlo.
4. Cuando no utilice el cartucho de batería, sáquelo de la herramienta o del cargador.

MONTAJE

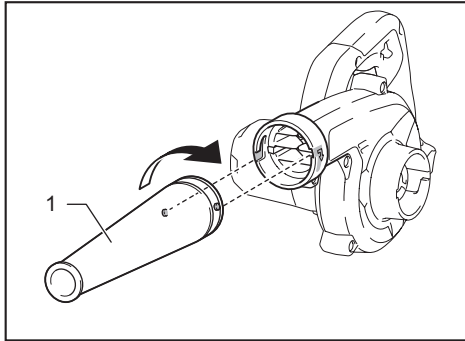
⚠PRECAUCIÓN: Asegúrese siempre de que la máquina haya sido apagada y el cartucho de batería extraído antes de realizar cualquier trabajo en la máquina.

Ensamblaje para soplar

Instalación o extracción de la boquilla

Accesorio opcional para el modelo UB101D

Alinee las protuberancias en la boquilla con las ranuras en la unidad principal, luego inserte la boquilla en la unidad principal y luego gírela para bloquearla en su lugar.



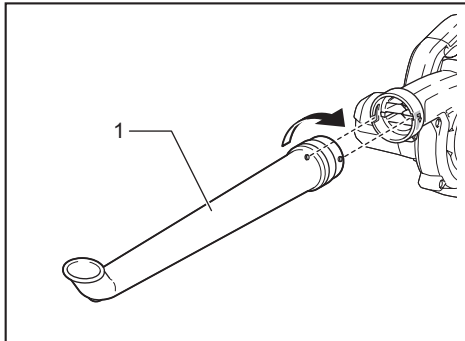
► 1. Boquilla

Para extraer la boquilla, realice el procedimiento de instalación en orden inverso.

Instalación o extracción de la boquilla para jardín

Accesorio opcional para el modelo UB100D

Alinee las protuberancias en la boquilla para jardín con las ranuras en la unidad principal, luego inserte la boquilla para jardín en la unidad principal y luego gírela para bloquearla en su lugar.



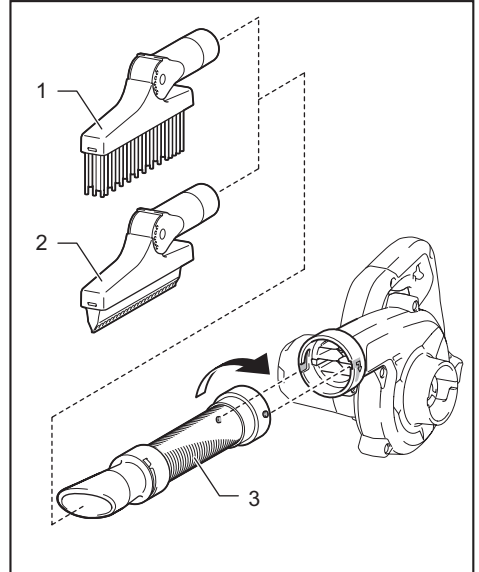
► 1. Boquilla para jardín

Para extraer la boquilla para jardín, realice el procedimiento de instalación en orden inverso.

Instalación o extracción de la boquilla con cepillo y boquilla con limpiador

Accesorio opcional para los modelos UB100D/UB101D

Coloque la boquilla con cepillo o la boquilla con limpiador en la manguera flexible, y luego instale la manguera flexible a la unidad principal.



► 1. Boquilla con cepillo 2. Boquilla con limpiador 3. Manguera flexible

Para extraer la boquilla con cepillo o la boquilla con limpiador, realice el procedimiento de instalación en orden inverso.

Instalación o extracción de la boquilla larga

Accesorio opcional para los modelos UB100D/UB101D

Instale la boquilla larga de la misma forma que la boquilla. Para extraer la boquilla larga, realice el procedimiento de instalación en orden inverso.

Instalación o extracción de la boquilla ahusada

Accesorio opcional para los modelos UB100D/UB101D

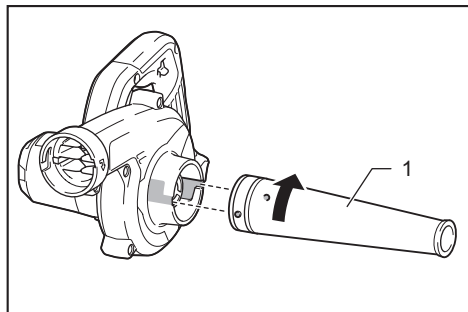
Coloque la boquilla ahusada a la boquilla y luego instale la boquilla a la unidad principal. Para extraer la boquilla ahusada, realice el procedimiento de instalación en orden inverso.

Ensamblaje para aspirado

Instalación o extracción de la boquilla

Accesorio opcional para el modelo UB101D

Alinee las protuberancias en la boquilla con las ranuras en la unidad principal, luego inserte la boquilla en la unidad principal y luego gírela para bloquearla en su lugar.



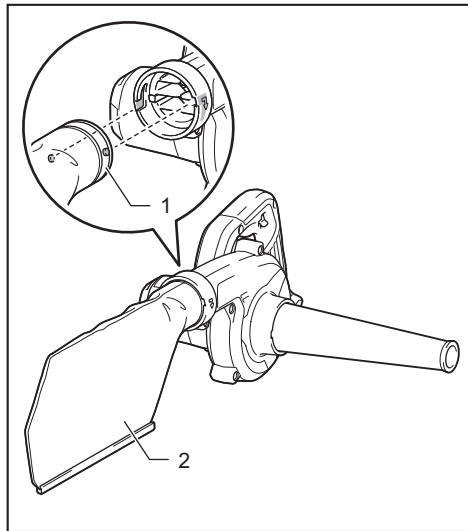
► 1. Boquilla

Para extraer la boquilla, realice el procedimiento de instalación en orden inverso.

Instalación o extracción de la bolsa recolectora de polvo

Accesorio opcional para los modelos UB100D / UB101D

Alinee las protuberancias en la junta de la bolsa recolectora de polvo con las ranuras en la unidad principal, luego inserte la junta en la unidad principal y luego gírela para bloquearla en su lugar.



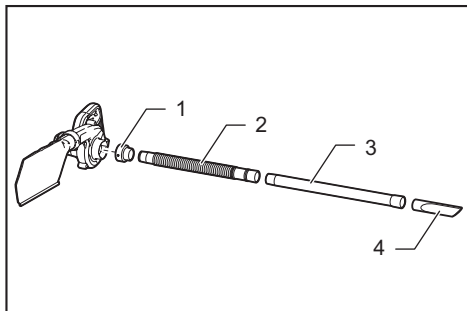
► 1. Junta 2. Bolsa recolectora de polvo

Para extraer la bolsa recolectora de polvo, realice el procedimiento de instalación en orden inverso.

Instalación o extracción del conjunto de manguera flexible

Accesorio opcional para los modelos UB100D / UB101D

Coloque la junta, manguera flexible, el tubo y la boquilla para bastidores en la unidad principal, en ese orden.



► 1. Junta 2. Manguera flexible 3. Tubo 4. Boquilla para bastidores

Para extraer el conjunto de manguera flexible, realice el procedimiento de instalación en orden inverso.

DESCRIPCIÓN DEL FUNCIONAMIENTO

⚠PRECAUCIÓN: Asegúrese siempre de que la máquina esté apagada y que el cartucho de batería haya sido extraído antes de realizar cualquier ajuste o revisión del funcionamiento de la máquina.

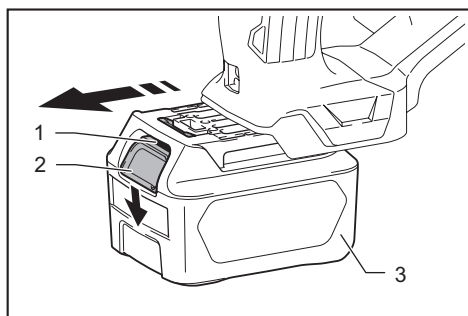
Instalación o extracción del cartucho de batería

⚠PRECAUCIÓN: Apague siempre la máquina antes de instalar o extraer el cartucho de batería.

⚠PRECAUCIÓN: Sujete la máquina y el cartucho de batería con firmeza al colocar o quitar el cartucho de batería. Si no se sujeta con firmeza la máquina y el cartucho de batería, puede ocasionar que se resbalen de sus manos resultando en daños a la máquina y al cartucho de batería, así como lesiones a la persona.

⚠PRECAUCIÓN: Siempre introduzca completamente el cartucho de batería hasta que el indicador rojo no pueda verse. Si no es así, éste podría caerse de la máquina ocasionándole una lesión a usted o a alguien más a su alrededor.

⚠PRECAUCIÓN: No instale el cartucho de batería a la fuerza. Si el cartucho no se desliza al interior fácilmente, se debe a que no está siendo insertado correctamente.



► 1. Indicador rojo 2. Botón 3. Cartucho de batería

Para quitar el cartucho de batería, deslícelo de la máquina mientras desliza el botón sobre la parte delantera del cartucho.

Para colocar el cartucho de batería, alinee la lengüeta sobre el cartucho de batería con la ranura en la carcasa y deslice en su lugar. Inserte por completo hasta que se fije en su lugar con un pequeño clic. Si puede ver el indicador rojo del lado superior del botón, esto indica que no ha quedado fijo por completo.

Sistema de protección de batería

Esta máquina está equipada con un sistema de protección de la batería. Este sistema corta en forma automática el suministro de energía al motor para prolongar la vida útil de la batería.

La máquina se detendrá automáticamente durante la operación si la máquina o la batería se someten a una de las siguientes condiciones:

Sobrecarga:

La máquina se está utilizando de una manera que causa que consuma una cantidad de corriente inusualmente alta.

En esta situación, apague la máquina y detenga la aplicación que haya causado que la máquina se sobrecargara. Luego encienda la máquina para volver a arrancarla.

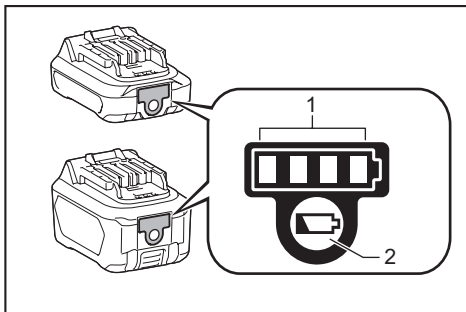
Si la máquina no arranca, significa que la batería se sobrecalentó. En este caso, espere a que la batería se enfríe antes de volver a encender la máquina.

Bajo voltaje de la batería:

La capacidad restante de la batería es demasiado baja y la máquina no funcionará. Si enciende la máquina, el motor volverá a funcionar pero se detendrá al poco tiempo. En este caso, retire la batería y vuelva a cargarla.

Indicación de la capacidad restante de la batería

Únicamente para cartuchos de batería con el indicador



► 1. Luces indicadoras 2. Botón de verificación

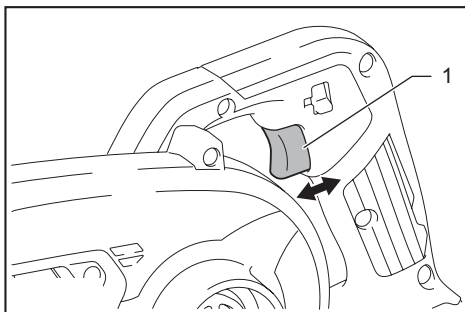
Oprima el botón de verificación en el cartucho de la batería para que indique la capacidad restante de la batería. Las luces indicadoras se iluminarán por algunos segundos.

Luces indicadoras		Capacidad restante
Iluminadas	Apagado	
■ ■ ■ ■	□	75% a 100%
■ ■ ■ □	□	50% a 75%
■ ■ □ □	□ □	25% a 50%
■ □ □ □	□ □ □ □	0% a 25%

NOTA: Dependiendo de las condiciones de uso y la temperatura ambiente, la indicación podrá diferir ligeramente de la capacidad real.

Accionamiento del interruptor

ADVERTENCIA: Antes de instalar el cartucho de batería en la máquina, verifique siempre que el gatillo interruptor se accione debidamente y que regrese a la posición de apagado al soltarlo.

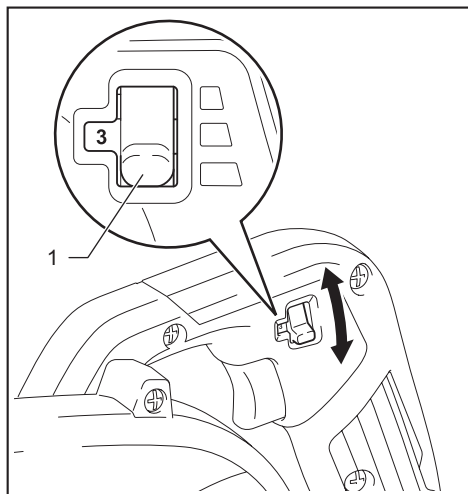


► 1. Gatillo interruptor

Para arrancar la máquina, jale el gatillo interruptor. La velocidad de la máquina aumenta al incrementar la presión en el gatillo interruptor. Para detener la máquina, suelte el gatillo interruptor.

AVISO: Si se ha utilizado la máquina de forma continua hasta que se descargue la batería, deje descansar la máquina durante al menos 15 minutos antes de utilizar la máquina con una batería fresca.

Dial de ajuste de velocidad



► 1. Dial de ajuste de velocidad

La velocidad puede cambiarse girando el dial de ajuste de velocidad hasta la configuración de un número dado de 1 a 3. Se logra una mayor velocidad cuando el dial se gira hacia el número 3. Se logra una menor velocidad cuando se gira hacia el número 1. Consulte la tabla para ver la relación entre las configuraciones de los números en el dial y la velocidad.

Número	Velocidad
3	Alta
2	Media
1	Baja

AVISO: Cuando gire el dial, asegúrese de soltar el gatillo interruptor por completo. De lo contrario, la máquina podría dañarse.

OPERACIÓN

PRECAUCIÓN: No coloque la máquina en el suelo mientras esté encendida. Arena o polvo pueden entrar desde la entrada de succión y ocasionar una falla o una lesión personal.

Operación de soplado

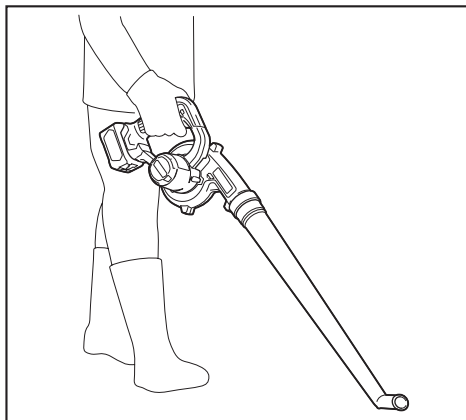
PRECAUCIÓN: Al realizar la operación de la sopladora, asegúrese de quitar la bolsa recolectora de polvo de la máquina, y conecte la boquilla en su sitio para la acción de soplado.

Sujete la máquina firmemente con una mano y realice la operación de soplado moviéndola lentamente. Al soplar alrededor de un edificio, piedras grandes o vehículos, dirija la boquilla lejos de ellos. Cuando realice una operación en una esquina, comience desde la esquina y luego muévase al área más amplia.

Para el modelo UB100D



Para el modelo UB101D



Operación de aspirado

⚠PRECAUCIÓN: Al realizar la operación de aspirado, asegúrese de colocar la bolsa recolectora de polvo y la boquilla en su sitio a la máquina.

⚠PRECAUCIÓN: Revise la bolsa recolectora de polvo con frecuencia para ver si presenta desgaste o deterioro.

⚠PRECAUCIÓN: Asegúrese de apretar el sujetador de la bolsa recolectora de polvo antes de operar la máquina.

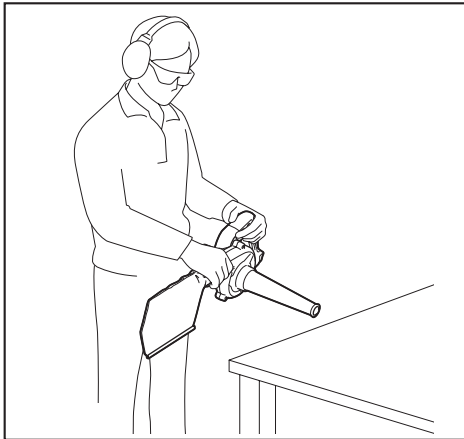
⚠PRECAUCIÓN: Apague siempre la máquina antes de abrir o apretar el sujetador de la bolsa recolectora de polvo.

AVISO: Al realizar la operación de aspirado, no utilice la boquilla para jardín. Los materiales succionados podrían quedar atascados y ocasionar una avería de la máquina.

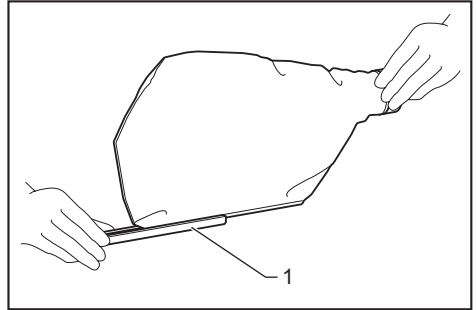
AVISO: No permita que la máquina succione materiales húmedos, como hojas mojadas y materiales extraños como astillas grandes de madera, metales, vidrio, guijarros, etc. De lo contrario, podría ocurrir un desperfecto.

AVISO: Vacíe la bolsa recolectora de polvo antes de que se llene. De lo contrario, podría ocurrir un desperfecto.

Sujete la máquina con ambas manos. Mientras opera la máquina, ajuste el gatillo interruptor para que la fuerza de succión sea apropiada para la ubicación y las condiciones de trabajo.



Vacíe la bolsa recolectora de polvo antes de que se llene de más, al retirar la bolsa recolectora de polvo de la máquina y luego retire el sujetador.



► 1. Sujetador

MANTENIMIENTO

⚠PRECAUCIÓN: Asegúrese siempre de que la máquina haya sido apagada y que el cartucho de batería haya sido extraído antes de intentar realizar una inspección o tarea de mantenimiento.

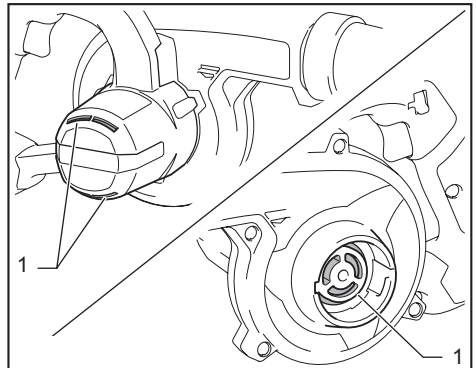
Para mantener la SEGURIDAD y FIABILIDAD del producto, las reparaciones, y cualquier otra tarea de mantenimiento o ajuste deberán ser realizadas en centros de servicio autorizados o de fábrica Makita, empleando siempre repuestos Makita.

Limpeza de la máquina

Quite el polvo de la máquina con un paño seco o humedezca un paño en agua y jabón y exprímalo para limpiarla.

AVISO: Nunca use gasolina, bencina, diluyente (tíner), alcohol o sustancias similares. Puede que esto ocasione grietas o decoloramiento.

Retire el polvo o la suciedad de las entradas de succión.



► 1. Entrada de succión

RESOLUCIÓN DE PROBLEMAS

Antes de solicitar alguna reparación, primero realice una inspección por su cuenta. Si detecta algún problema que no esté explicado en el manual, no intente desensamblar la máquina. En vez de esto, solicite la reparación a un centro de servicio autorizado de Makita, usando siempre piezas de repuesto Makita.

Estado de la anomalía	Causa probable (avería)	Remedio
El motor no funciona.	El cartucho de batería no está instalado.	Instale el cartucho de batería.
	Problema con la batería (bajo voltaje)	Recargue la batería. Si la recarga no es efectiva, reemplace la batería.
	El sistema de accionamiento no funciona correctamente.	Solicite la reparación en el centro de servicio autorizado de su localidad.
El motor deja de funcionar después de un rato de uso.	El nivel de carga de la batería es bajo.	Recargue la batería. Si la recarga no es efectiva, reemplace la batería.
	Sobrecalentamiento.	Deje de usar la máquina para permitir que se enfríe.
La máquina no alcanza la velocidad máxima.	La batería está mal instalada.	Instale el cartucho de batería como se describe en este manual.
	La potencia de la batería se está reduciendo.	Recargue la batería. Si la recarga no es efectiva, reemplace la batería.
	El sistema de accionamiento no funciona correctamente.	Solicite la reparación en el centro de servicio autorizado de su localidad.
Vibración anormal: ⇒ ¡Detenga la máquina inmediatamente!	El sistema de accionamiento no funciona correctamente.	Solicite la reparación en el centro de servicio autorizado de su localidad.
El motor no se puede detener: ⇒ ¡Extraiga la batería inmediatamente!	Avería eléctrica o electrónica.	Extraiga la batería y solicite la reparación en el centro de servicio autorizado de su localidad.

ACCESORIOS OPCIONALES

⚠PRECAUCIÓN: Estos accesorios o aditamentos están recomendados para utilizarse con su producto de Makita especificado en este manual. El uso de cualquier otro accesorio o aditamento puede ocasionar riesgo de lesiones personales. Use los accesorios o aditamentos sólo para los propósitos para los que fueron diseñados.

Si necesita cualquier ayuda para más detalles en relación con estos accesorios, pregunte a su centro de servicio local Makita.

- Boquilla
- Boquilla para jardín
- Bolsa recolectora de polvo
- Boquilla larga
- Boquilla ahusada
- Conjunto de manguera flexible
- Manguera flexible completa (para boquilla con cepillo o limpiador)
- Boquilla con cepillo
- Boquilla con limpiador
- Batería y cargador originales de Makita

NOTA: Algunos de los artículos en la lista puede que vengán junto con el paquete del producto como accesorios incluidos. Puede que estos accesorios varíen de país a país.

GARANTÍA LIMITADA DE MAKITA

Ésta Garantía no aplica para México

Consulte la hoja de la garantía anexa para ver los términos más vigentes de la garantía aplicable a este producto. En caso de no disponer de esta hoja de garantía anexa, consulte los detalles sobre la garantía descritos en el sitio web de su país respectivo indicado a continuación.

Estados Unidos de América: www.makitatools.com

Canadá: www.makita.ca

Otros países: www.makita.com

Makita Corporation
3-11-8, Sumiyoshi-cho,
Anjo, Aichi 446-8502 Japan
www.makita.com

885818-933 UB100D-1 EN, FRCA, ESMX 20200609
--